



HIVE Flow



**HIVE Flow
Mini**

ENG SAUNA STOVE

2-31

EST SAUNAAHI

32-61

GER SAUNAOFEN

62-92

TABLE OF CONTENTS

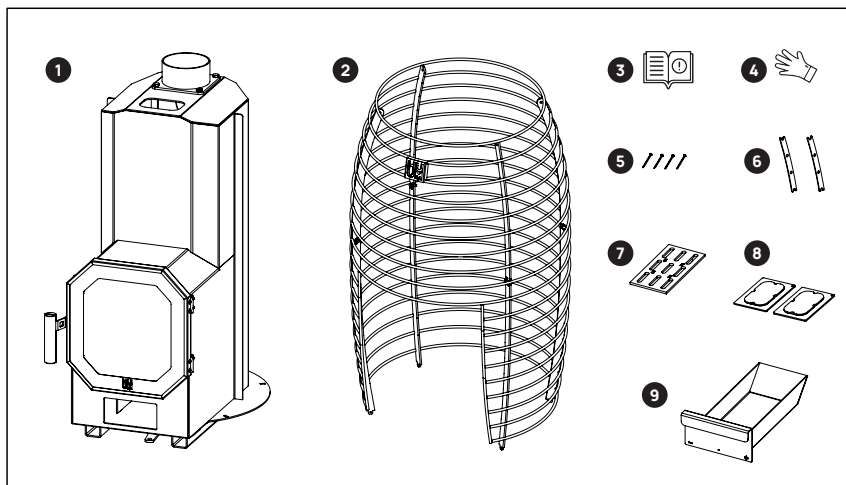
GENERAL	4
INSTALLATION	6
PRE-INSTALLATION HEATING	6
BASE SURFACE	8
SAFETY DISTANCES	8
CONNECTION TO THE FLUE	11
SAUNA ROOM	12
WALL MATERIALS AND INSULATING OF THE SAUNA ROOM	12
DARKENING OF THE SAUNA ROOM WALL	13
FLOOR OF THE SAUNA ROOM	13
VENTILATION	14
USE	15
LAYING OF STONES	15
HEATING	16
STARTING THE HEATING	17
FILLING THE HEARTH DURING HEATING	18
MAKING STEAM	20
FINISHING THE HEATING	20
MAINTENANCE	21
REMOVAL FROM USE	22
WARNINGS AND NOTES	22
SOLVING PROBLEMS	23
WARRANTY	25
APPENDIX 1 - TECHNICAL DATA OF THE SAUNA STOVE	26
APPENDIX 2 - DECLARATION OF HIVE FLOW PERFORMANCE	27
APPENDIX 3 - DECLARATION OF HIVE FLOW MINI PERFORMANCE	28
APPENDIX 4 - SPARE PARTS	29
APPENDIX 5 - ACCESSORIES	30



HIVE Flow

SAUNA STOVE

Installation and operation manual



HUUM HIVE Flow sauna stoves include:

- 1 sauna stove heated by firewood;
- 2 metal grate;
- 3 sauna stove installation and operational manual;
- 4 heat resistant glove;
- 5 splits;
- 6 metal fixing plates (2 pcs);
- 7 ash grate;
- 8 cleaning hatches (2 pcs);
- 9 ash drawer.

Spare parts article numbers can be found in the **Appendix 4 and 5**

ATTENTION! A sauna stove needs stones. We recommend using HUUM 5-10cm sauna stones (See Appendix 5, page 30-31).

ATTENTION! Only the specialist of the relevant field may connect the wood-burning sauna stove described in the manual to the chimney.

GENERAL

Thank you for choosing **HUUM Flow**. You have chosen a unique sauna stove that is the cleanest woodburning stove on the market. You will not just have an unforgettable sauna experience, but also keep the environment clean.

For an optimal and safe sauna experience, it is strongly recommended to review the operation manual and retain it for future consultation.

The latest operation manual can always be found on HUUM's website: huum.eu

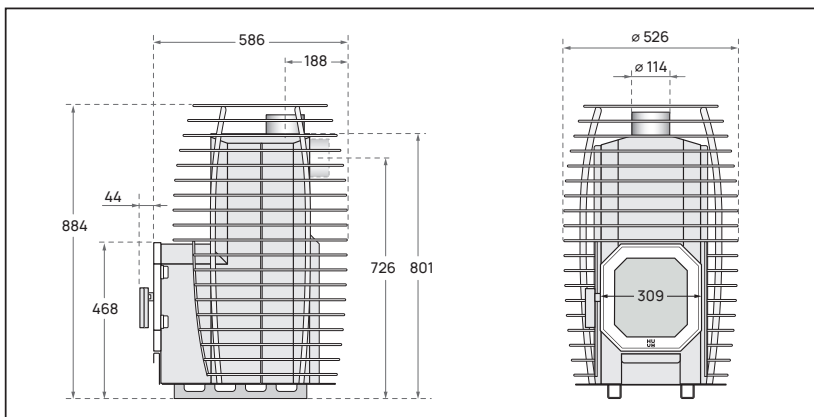


Figure 1. Dimensions of the HIVE Flow sauna stove.

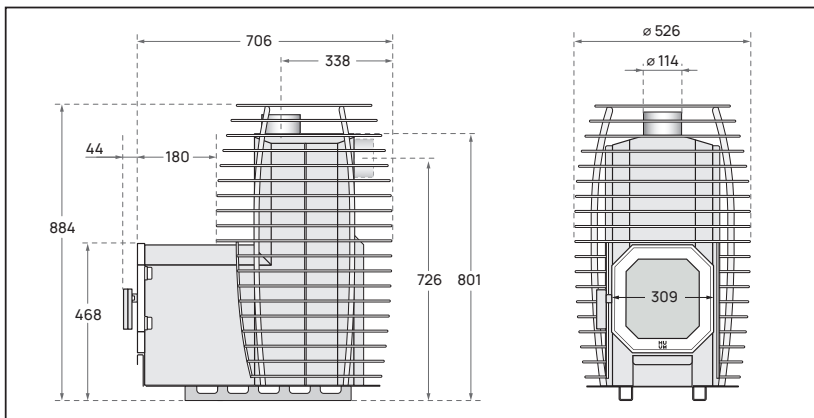


Figure 2. Dimensions of the HIVE Flow LS sauna stove.

- The operation manual contains technical data for the sauna stove as well as instructions for installation, operation, and maintenance.
- The product is intended solely for use as a sauna stove.
- Changing the construction of the sauna stove is strictly prohibited and may result in serious malfunction. It will result in termination of the warranty.
- Use only HUUM spare parts offered by the manufacturer.

Appendix 4, page 29.

- Changing or removing the data label attached to the sauna stove is prohibited.
- The technical data of the sauna stove has been provided in **Appendix 1.**

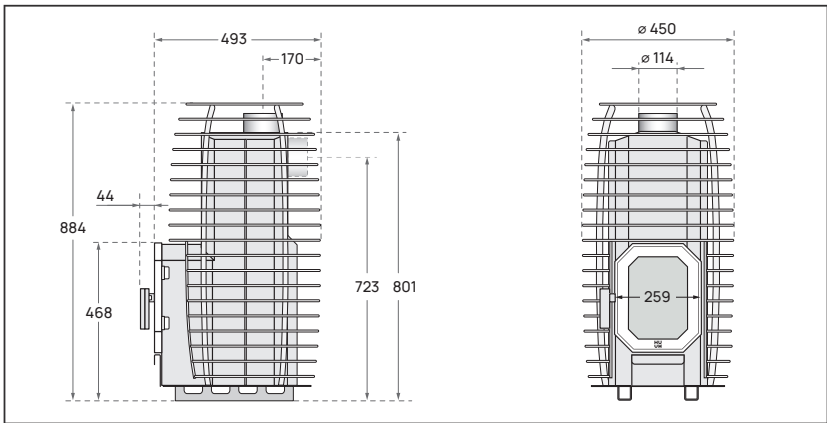


Figure 3. Dimensions of the HIVE Flow Mini sauna stove.

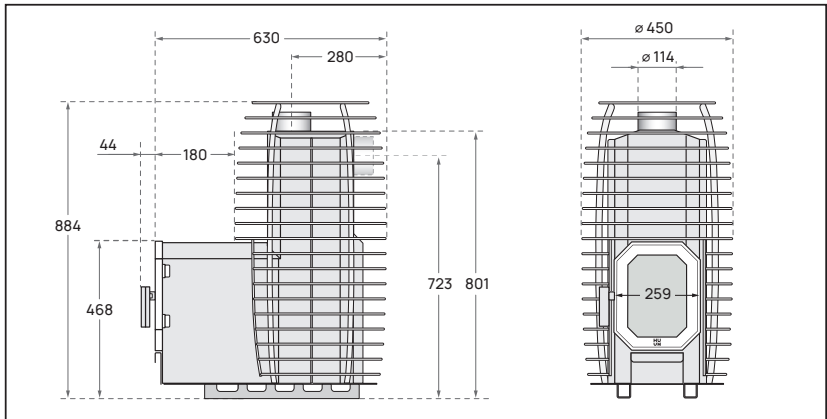


Figure 4. Dimensions of the HIVE Flow Mini LS sauna stove.

INSTALLATION

- All relevant local regulations should be followed when installing the sauna stove, including those referring to country specific standards and European standards.
- Before installing and using the sauna stove, thoroughly review the requirements for installing the sauna stove in the sauna room. If you have questions or to obtain additional information, be sure to contact the local or national fire safety agency or consult an authorized specialist.
- Before installation, make sure the power rating of the stove corresponds to the volume of the sauna room. The suitable cubic capacity of the sauna room has been provided in **Appendix 1**. If there are uninsulated brick, tile or glass walls in the sauna room, an additional sauna room volume of 1 m³ should be calculated for each square meter of such a wall.
- The maximum room size where this stove is allowed to be installed has been presented according to the methodology provided in standard EN15821:2010.

ATTENTION! The manufacturer's warranty is void if the capacity of the sauna stove does not correspond to the volume of the sauna room, non-insulated surfaces are not taken into account and/or there is insufficient ventilation in the sauna.



See more about
best practices for
sauna construction

PRE-INSTALLATION HEATING

ATTENTION! Before installation, the sauna stove must be heated outdoors at least once while following general fire safety precautions. This is necessary as the protective paint layer of the body of the sauna stove emits harmful and unpleasant-smelling fumes during the first heating. The paint gains durable properties during the first heating.

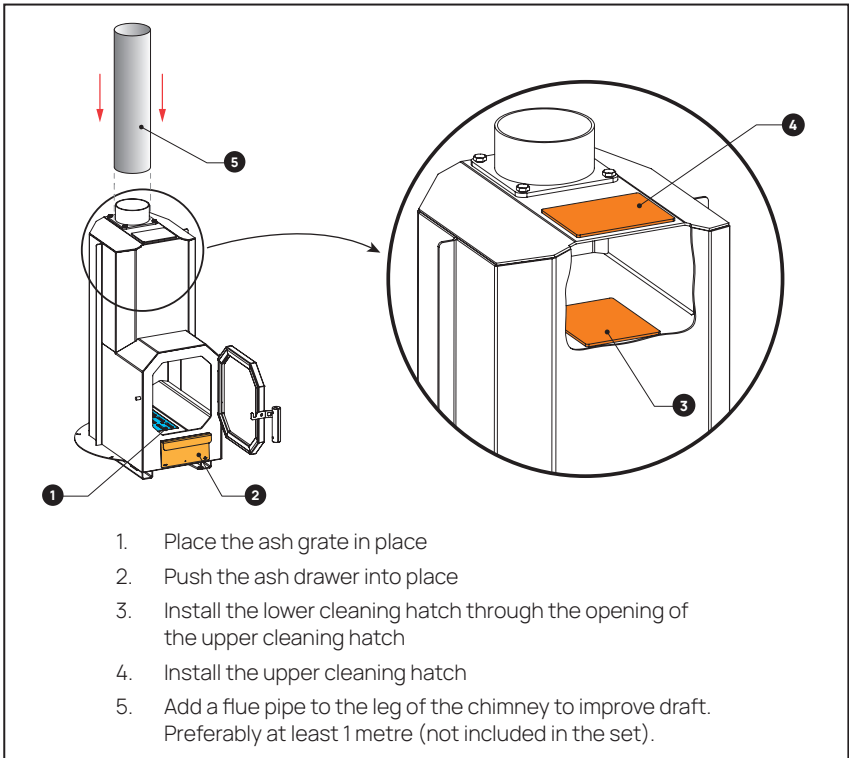


Figure 5. Assembling the stove for pre-installation heating.

Heat the sauna stove in well-ventilated outdoor area that is sheltered from the wind. This will enable the stove surfaces heat up evenly.

- Before heating for the first time, be careful not to scratch the surface of the sauna stove.
- Remove the stone grate for pre-installation heating.
- Do not lay stones on the body of the sauna stove.
- Do not throw water on the sauna stove during first heating.
- 1-2 hearths of firewood is enough for the first heating.
- You can stop heating when no visible smoke or steam is released from the surface of the stove.
- During the pre-installation heating, keep the door slightly open. Do not close the door at any stage during the first heating. (See Figure 6.)

ATTENTION! The door seal may stick to the heater body and detach!

- To improve draft, you can use flue pipes used in final installation.

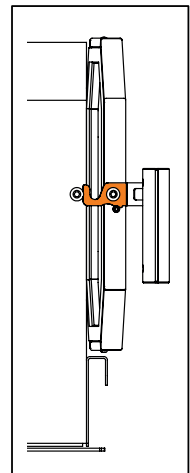


Figure 6. Door position

BASE SURFACE

The sauna stove is installed in the sauna room to the floor of non-combustible material with sufficient load-bearing capacity. The concrete floor with the thickness of at least 50 mm is suitable.

If the floor heating cables or pipes are located under the sauna stove, the thermal plate for HUUM sauna stoves or other non-combustible material and additional protection with sufficient thickness and load-bearing capacity should be used to protect these from heat radiation. The information on HUUM thermal plate has been provided in **Appendix 5, page 30**.

In case of the floor made of combustible material, it is mandatory to use the thermal plate for HUUM sauna stoves or some other non-combustible material and additional protection with sufficient thickness and load-bearing capacity. The ventilation gap of at least 30 mm is mandatory between such a base and the floor, so that air can move freely.

SAFETY DISTANCES

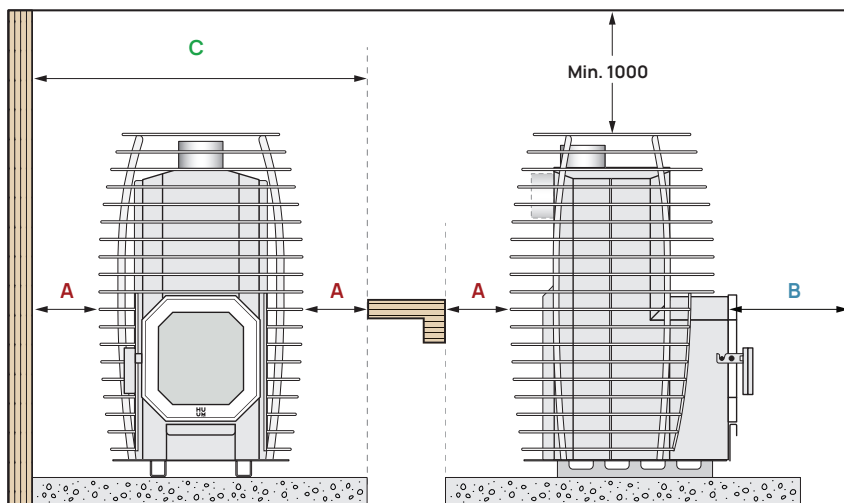


Figure 7. Safety distances of HIVE Flow sauna stove from flammable materials (e.g. wooden wall, bench etc).

Table 1.	Room m ³	Weight kg	Quantity of stones kg	A mm	B mm	C mm
Flow	8-18	67	150	150	500	826
Flow LS	8-18	73	150	150	500	826
Flow Mini	6-14	54	105	150	500	750
Flow Mini LS	6-14	59	105	150	500	750

There should be at least 50 mm between the wall of **non-combustible material** and the stove.

Safety distances can be reduced by using protective screens made of non-combustible material. The single-layer light protective screen allows to reduce the safety distances by 50% and the double light protective screen by up to 75%. The protective screen is included in the safety distance, which means that the distance is measured to the flammable material, not to the protective screen. There should be a gap of at least 50 mm between the protective screen and the sauna stove.

The safety distance between the sauna stove and the ceiling can be reduced by 25% by using the single protective screen. The double protective screen is not used in the ceiling.

The single light protective screen is made of at least 7 mm thick non-combustible, fibre-reinforced cement board or of at least 1 mm thick metal plate, which is firmly attached to the wall. An air gap of at least 30 mm should remain between the surface to be protected and the protective screen.

The double protective screen can be made of the same materials as mentioned above. There should be an air gap of at least 30 mm between the protective screen and the wall. There should be an air gap of at least 30 mm between the protective screen and the floor and ceiling to ensure adequate air circulation.

ATTENTION! Before reducing the safety distance, please check the local safety laws and regulations in your country.

When installing flues, the safety distances specified in the instruction manual of the respective manufacturer should be followed.

To **protect flooring made of combustible material** in front of the sauna stove, the sheet metal plate should be attached to the floor in front of the stove, which extends at least 100 mm beyond the sides of the door opening of the stove, and at least 400 mm in front of the stove. The edge of the plate closest to the stove side should be bent up so that the coal falling from the sauna stove does not get under the stove. Information on HUUM floor protection plate (sold separately) has been provided in **Appendix 5, page 30**.

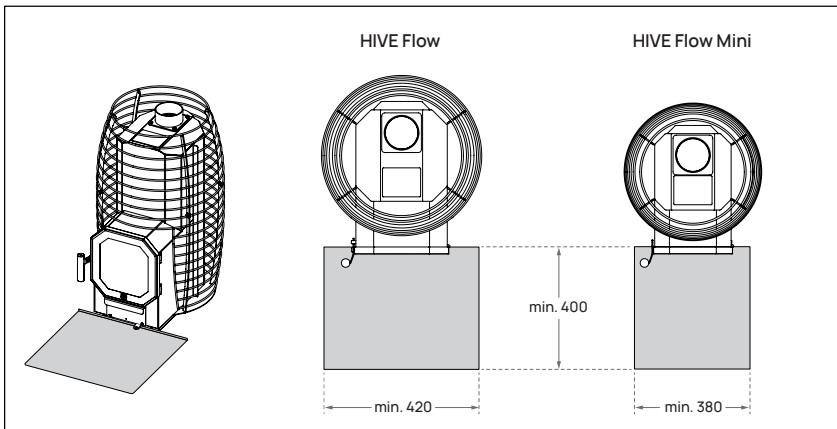


Figure 8. HIVE Flow and Flow Mini sheet metal plate for floor protection (sold separately).

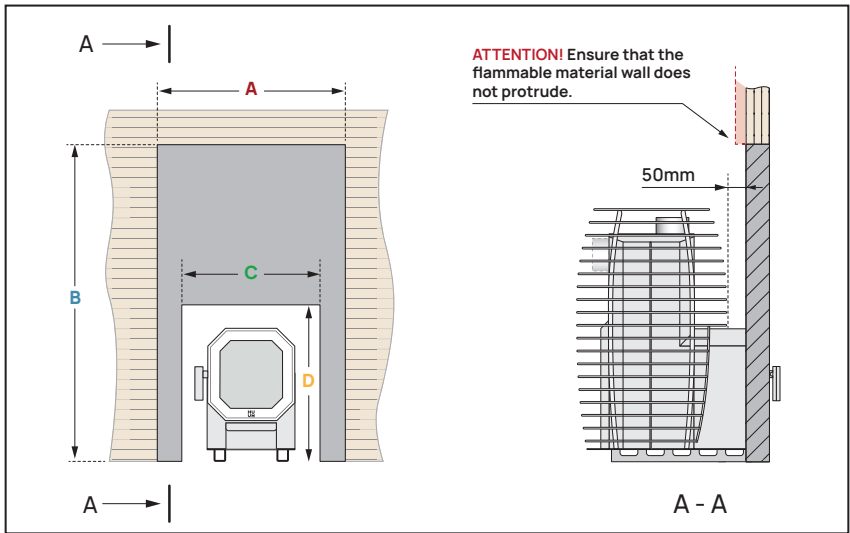


Figure 9. Installing HIVE Flow LS and Flow Mini LS sauna stoves through the wall.

The minimum dimensions for the non-combustible wall and the opening in the case of HIVE Flow LS are provided in **Table 2**. For HIVE Flow Mini LS, see **Table 3**.

Table 2.	A mm	B mm	C mm	D mm
Sauna stove on the floor, without mounting collar.	650	1050	320	470
Sauna stove on the floor, with HUUM mounting collar.	650	1050	485	560
Sauna stove on protective bedding, with HUUM mounting collar.	650	1100	485	615

Table 3.	A mm	B mm	C mm	D mm
Sauna stove on the floor, with no mounting collar	650	1050	270	470
Sauna stove on the floor, with HUUM mounting collar.	650	1050	435	560
Sauna stove on protective bedding, with HUUM mounting collar.	650	1100	435	615

The protective bedding and mounting collar are accessories designed to simplify installation and add finishing touches. These items are sold separately. The maximum thickness of the non-combustible wall when using HUUM mounting collars is up to 150mm, and without it up to 100mm. Please refer to **Appendix 5** for more details.

CONNECTION TO THE FLUE

ATTENTION! The connection between the sauna stove and the flue can only be made by a certified installation expert.

The flue (chimney) must comply with the specifications provided in **Appendix 1**.

HIVE Flow sauna stove can be connected to the flue both from the top and back of the sauna stove. To connect from the back, the positions of the bolted chimney leg and cover plate should be changed.

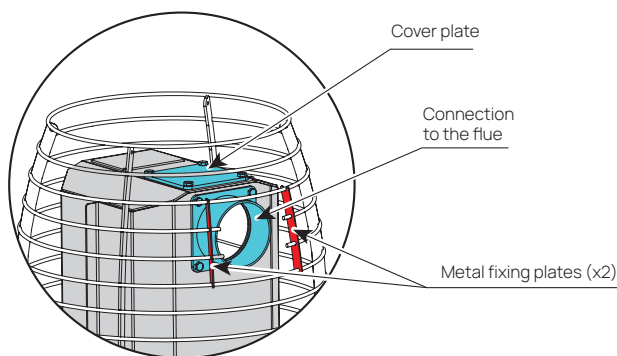


Figure 10. HIVE Flow back connection. The two ribs should be cut according to the diameter of the chimney element and the loose ends of the ribs should be fixed with the metal fixing plates found in the package.

- To connect the sauna stove to the flue, only flue pipes approved by the local fire and safety regulations should be used. HUUM offers standard chimney sets, the details of which can be found in **Appendix 5**.
- The joints of the chimney system should be sealed using the special heat-resistant rope and/or stone wool.
- When installing flues, the safety distances specified in the respective manufacturer's instructions should be followed.

The average and maximum flue gas temperature of the sauna stove heated according to the manual is below 400°C. Therefore, the sauna stove can be connected to an existing flue gas system that already has a fireplace connected.

ATTENTION! Be sure to coordinate this with the local government and rescue board / fire department in advance, as requirements may vary from region to region.

SAUNA ROOM

WALL MATERIALS AND INSULATING OF THE SAUNA ROOM

In a sauna, all heat accumulating wall surfaces (glass and concrete walls, brick, plaster, etc.) should be insulated in order to use the woodburning stove with optimal output. This prevents heat loss in the sauna room and overheating of the stove.

The following sauna construction guidelines can help ensure a well-insulated sauna room:

1. An insulation layer of 50-100mm thickness is installed (foam insulation boards covered with a vapour barrier foil suit well).
2. Aluminium foil or other reflective material on top of the insulation material without a vapour barrier. The joints are covered with foil tape.
3. 10mm ventilation gap (recommended) is left between the moisture barrier and the lining board with spacers.
4. 12-16 mm wooden lining board is suitable for interior finishing. Before installing the lining boards, check for power cables and reinforcements in the walls that are necessary for equipment installations, e.g. a sauna bench.
5. To prevent moisture from the floor, the distance between the board and the floor should be at least 100 mm.
6. There is a minimum ventilation gap of 5 mm between the wall and ceiling board.
7. Wooden sauna surfaces can be coated with sauna wax or oil to prevent dirt being absorbed into the wood.

Ceiling of the sauna room

To optimize the sauna stove's output, the recommended height of the sauna room is 2000 - 2300 mm. In case of a higher sauna room, it is advisable to lower the ceiling, thus reducing the volume of the sauna room.

1. The minimum permissible height of the sauna room for **HUUM Flow** sauna stove is **1900 mm**.
2. The distance between the top step of the sauna bench and the ceiling should be between 1100 and 1300 mm.
3. The ceiling of the sauna room should be insulated in the same specification as the walls.

ATTENTION! When covering the walls or ceiling with heat protection (e.g. with mineral tiles), a sufficient ventilation gap should be left between the materials. Installing tiles directly on a wall or ceiling surface can cause dangerous overheating of wall and/or ceiling materials.

ATTENTION! Check with your local authorities responsible for fire safety regarding parts of the firewall can be insulated. It is forbidden to insulate flues in use.

DARKENING OF THE SAUNA ROOM WALLS

Over time, the wooden materials used in the sauna room may begin to darken due to the high temperature. This is a natural process that does not pose a risk and is usually caused by the darkening of the wood or the wood protection product used. The darkening process can also be caused by the fine stone dust, breaking away from the sauna stones and lifted up by the airflow. By following the manufacturer's instructions when installing the sauna stove, flammable materials in the sauna room may not become dangerously hot.

ATTENTION! The highest allowed temperature for the wall and ceiling surfaces of the sauna room is 140 °C.

FLOOR OF THE SAUNA ROOM

Due to large changes in temperature, the sauna stones may crumble over time. Together with the sauna water, particles released from the stones and fine stone dust are washed onto the sauna floor. Hot stone chips can damage plastic covered floors under and near the sauna stove. The splashes of heating stones and sauna water (especially for iron-rich water) can be absorbed into the caulking of the tile floor.

In order to avoid aesthetic damage, ceramic tiles and dark joint filler should be used under and around the sauna stove.

VENTILATION

The ventilation of the sauna room should be efficient enough to accommodate burning requirements (one kilogram of wood requires 6 - 10 m³ of oxygen-rich air to burn). The fresh incoming air should be directed as close to the sauna stove as possible.

For a healthy and pleasant sauna experience, it is important that proper air circulation is ensured in the sauna room during sauna use. You can find instructions on the proper sauna ventilation solution on

HUUM's website: huum.eu "HUUM Blog - Sauna ventilation"

After using the sauna, the room should be ventilated to get rid of excess humidity.

ATTENTION! The use of forced ventilation can cause room air exchange problems and insufficient combustion air in the hearth. Before installing and using the sauna stove, make sure that the existing ventilation system allows the use of the hearth. If necessary, contact the HVAC engineer or sauna installer for more information.

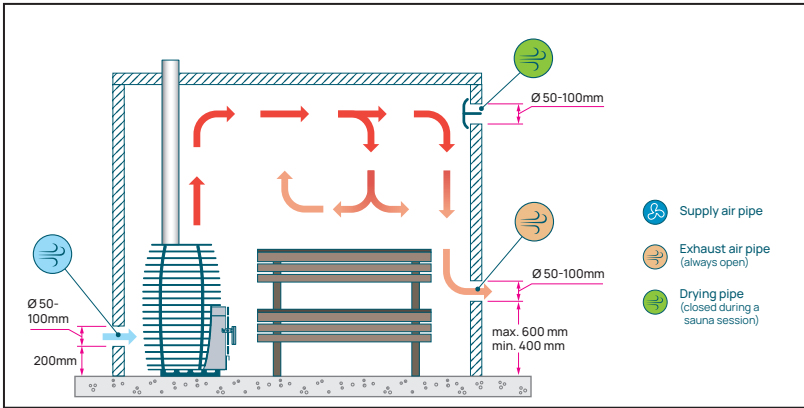


Figure 11. Gravity-based ventilatsion in a wood-fired sauna

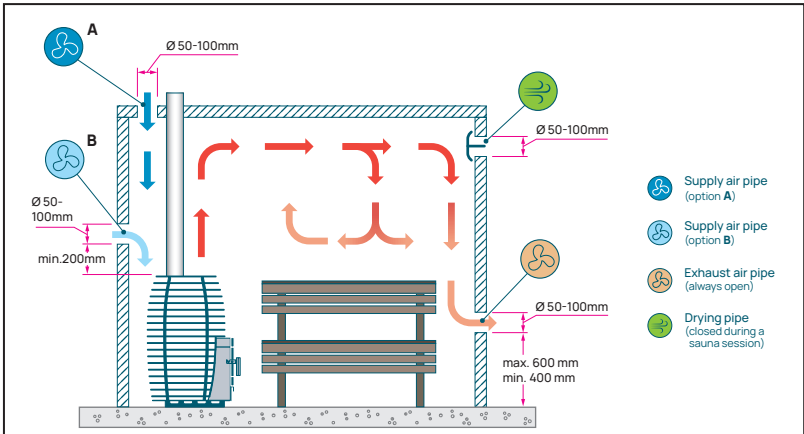


Figure 12. Mechanical ventilation in a wood-fired sauna

USE

LAYING OF STONES

We recommend using special HUUM sauna stones (see Appendix 5, page 30). The stones found in nature may not be suitable for saunas, as these may crumble or/and release toxic chemicals.

- Before laying the stones, we recommend washing the stones clean of dust under running water.
- Before laying the stones, make sure that the cleaning hatches are securely in place.
- The size and quantity of suitable stones for the sauna stove have been provided in **Appendix 1**.
- HIVE Flow stone grate can be split. To insert and remove the lower stones, the upper part of the grate should be removed and raised as far as the chimney connection allows (**Figure 13**).
- The stones should be laid evenly layer by layer. Do not push stones between the stone grate and the hearth with force.
- Do not lay a high pile of stones, and make sure before the first use all stones are level with the top of the stone grate (**Figure 14**).

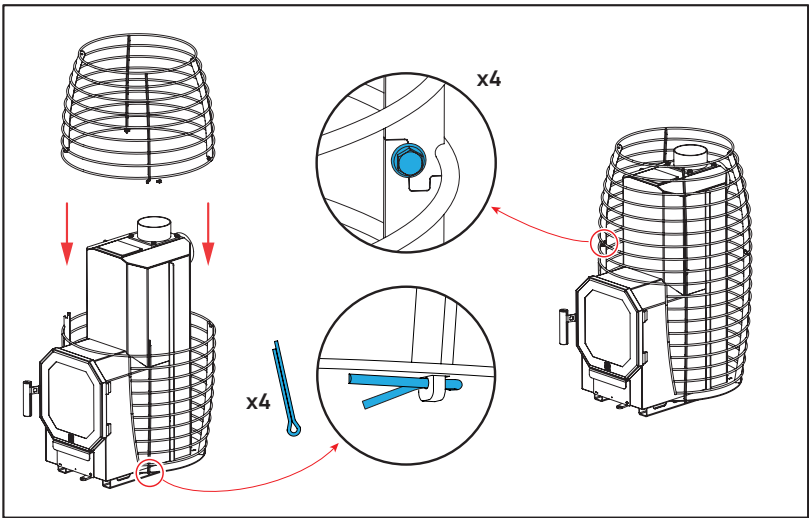


Figure 13. Splitting HIVE Flow stone grid.

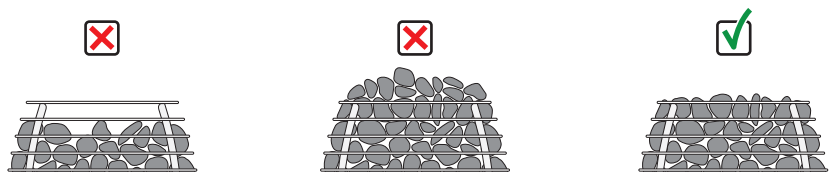


Figure 14. Laying of HIVE Flow stones.

HEATING

ATTENTION! Before installation, the sauna stove must be heated outdoors at least once while following general fire safety precautions.

Tutorial video



- Before starting the heating, make sure that there are safety distances around the sauna stove and there are no flammable objects or materials on top of the sauna stove.
- The sauna stove may only be heated with firewood. Both hardwood and softwood are suitable.
- Do not exceed the maximum amount of firewood, in kilograms, as specified in **Figures 16** and **Figure 17**.
- The optimum humidity of firewood is 10-15%. Very dry and fine firewood burn too intensively, thereby increasing the risk of overheating and excessive heating of the flues. Excessively moist wood burns poorly and tars the door and flues of the sauna stove.

ATTENTION! The use of other fuels, including liquid fuels, is prohibited!

- The most suitable firewood length is 30 cm. The maximum length of the log is 40 cm.
- The firewood added to the hearth could be of the same size and thickness. In this way, combustion takes place most evenly.
- The firewood weighing around 0.4 - 0.7 kg are most suitable for heating the sauna stove. Very thick firewood burns for a long time and the sauna takes longer to warm up. Very fine firewood burn too quickly, and the sauna stove and stones cannot store the heat.

ATTENTION! It is forbidden to cover the sauna stove!

- If a water tank is installed on the flue pipe of the sauna stove, fill it with clean water before starting the heating.
- Make sure that the ash grate is not blocked, clean it with the fire poker if necessary. Leave unburned coals from the previous time on the grate. Empty the ash drawer when it is more than half full.
- Avoid ash and combustion residues entering the lower space of the hearth, under the ash drawer. If necessary, remove the ash drawer and clean.
- To remove the ash drawer for emptying, open the hearth door, lift the ash drawer slightly and then pull it out (the ash drawer has a safety limiter that prevents it from being opened excessively during heating). See **Figure 15**.

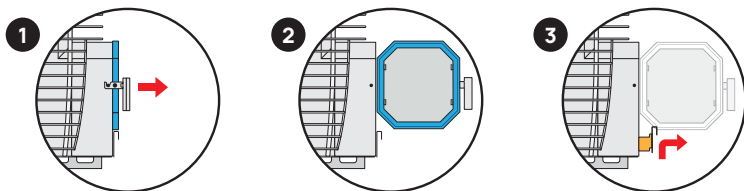


Figure 15. Removing HIVE Flow ash drawer.

ATTENTION! Ashes and coals should be completely extinguished and cooled before emptying the ash drawer into a fire resistant waste bucket or combustible material container.

- Make sure there is a draft in the chimney. If in doubt, check the draft, by burning some paper in the hearth of the sauna stove.
- The maximum quantity of firewood provided in **Appendix 1** of the operation manual should not be exceeded. The firewood should not be added to the hearth of the sauna stove more often than the minimum intervals provided in **Appendix 1**. In case of very dry and also fine firewood, the amount of heating material should be reduced.

ATTENTION! Make sure you don't overheat the sauna stove!

If the surface of the sauna stove turns red, it is overheating. In this case, immediately close the air valve at the bottom of the stove to reduce the intensity of the combustion. The manufacturer is not responsible for deformations and damages of the sauna stove that have occurred as a result of overheating.

The firewood to be inserted to the hearth should be weighed at least for the first few times of heating. Later, this process could be repeated from time to time, especially if you change the length or type of firewood. An ordinary bathroom scale is suitable for weighing firewood.

STARTING THE HEATING

The first batch should consist of medium-sized firewood and a small amount of fine chips. The maximum quantity of firewood in kilograms has been provided in **Appendix 1**

- Lay the thinner firewood for the bottom layer.
- Put the thickest ones as the middle layer.
- Cover the middle layer with thin firewood with chips for kindling.
- Place the firewood as far back as possible in the hearth, leaving about 10 mm of free space between the firewood and the back wall.
- Lay the firewood tightly to the hearth, leaving air gaps between the firewood is not necessary.

Ignition should take place from the **upper quarter** of the heating material. It is convenient to use a fire starter (non-liquid) or birchbark for lighting.

ATTENTION! Never light the fire from the bottom!

This causes burning that wastes fuel and pollutes the environment. Also, both the stove and the chimney heat up more slowly and the heating process takes longer.

Tutorial video



- **The air valve at the edge under the front part of the sauna stove** should be fully opened. If the draft in the chimney is too big and the burning is very intense, the burning speed can be reduced by adjusting the air valve.

- **Keep the ash drawer open for up to 15 minutes** after lighting. The ash drawer has a limiter that prevents it from being opened more than 3 mm.
- **The hearth door can be kept open for approximately 2 minutes** after lighting. A few millimetres are enough. This reduces moisture condensation and soot sticking to the door glass.
- **No later than 15 min after lighting** (or earlier, when combustion has reached good momentum), **close the ash drawer completely** (push the drawer in). Leave it closed during the entire heating period, including when adding subsequent amounts of wood.

Removing the ash drawer during heating is prohibited. An open or missing ash drawer creates a risk of overheating and inefficient combustion.

ATTENTION! The manufacturer is not responsible for the consequences caused by overheating. An improperly heated sauna stove is not covered by the warranty.

CAUTION! The outer surfaces and stones of the sauna stove are very hot when using the stove! Do not touch!

ATTENTION! Do not open the stove door during the intense burning phase. If it is necessary for some reason, first open the door a few millimetres for 10 seconds. Then you can open the door as much as necessary. Otherwise, flames may shoot out of the hearth.

FILLING THE HEARTH DURING HEATING

Adding firewood only takes place when the first batch has burned out, i.e. the firewood is no longer burning and glowing coals have formed. Adding firewood too early reduces the efficiency of the stove

- Choose equal-sized firewood for filling.
- Fill the hearth with firewood to a maximum of 2/3 of its height.
- **Figure 16** and **Figure 17** indicates the maximum number of firewood in kilograms for each filling procedure.
- Mix the coals with the fire poker before adding the firewood.
- Stack the firewood tightly to the hearth, as close to the back wall as possible.
- **Make sure the ash drawer is in the closed (fully pushed in) position.**
- Close the stove door.

If the second filling of the hearth is also necessary to reach the desired sauna temperature, repeat the same process.

ATTENTION! The ash drawer should always remain closed (except during the ignition phase).

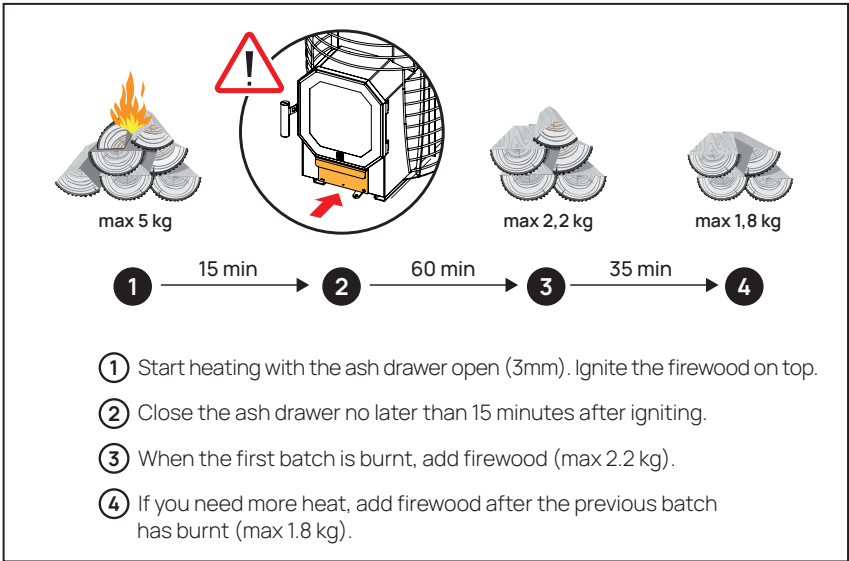


Figure 16. Starting HIVE Flow heating and adding the batch of firewood.

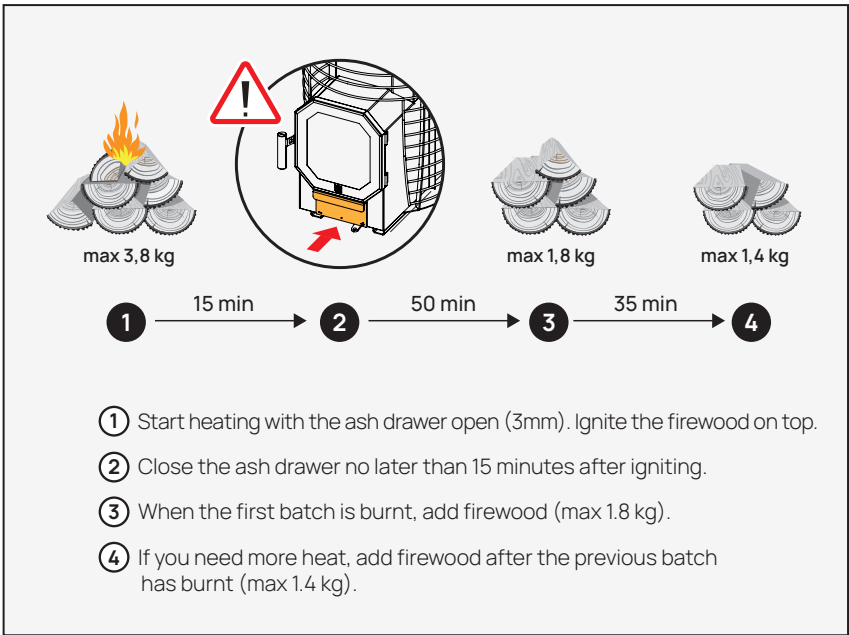


Figure 17. Starting HIVE Flow Mini heating and adding the batch of firewood.

MAKING STEAM

As the sauna heats up, the air in the sauna room becomes dry. To achieve a pleasant humidity level and the best sauna experience, throw water on the hot stove stones.

- Start making steam only when the stones are properly hot and the water has completely evaporated from them.
- Too hard and iron-rich water changes the appearance of sauna stones. Do not use water containing salt or chlorine, as it causes corrosion of the body of the sauna stove.
- We recommend throwing about 80 ml of water on the stones at a time. If you want more steam, wait a few minutes and then pour the same amount again. This allows the stones to dry out and reheat in between.
- Aromatic liquids made of oil or any must substance should be diluted in steam water beforehand, otherwise these may catch fire in a hot sauna stove or on stones.
- Pour water evenly over the stones.

ATTENTION! Never make steam when someone is in the immediate vicinity of the sauna stove, as the hot steam can cause burns.

FINISHING THE HEATING

Due to the special nature of combustion, a lot of coal is generated in the hearth. Depending on the number of firewood logs added to the sauna stove, the layer of embers formed in the hearth can burn for a long time.

If you want the coals to burn faster at the end of heating:

- Mix the coals with a poker and pile them in the middle of the hearth.
- Open the ash drawer as much as possible. The ash drawer's safety limiter prevents the drawer from being opened more than 3mm. An inflow of air occurs through the ash grate and intensive burning of coal begins.

We recommend scheduling the sauna session in the same time period when the coals are burning in the hearth. This way, you will save fuel and have a better sauna experience. When the coals are finished burning, close the ash drawer and the air valve located under the stove door, so the stove stays warm longer.

MAINTENANCE

The stove properly heated with high-quality firewood does not create soot in the flues and does not require special maintenance. However, the chimney, connections of the flue pipes with the chimney and the flues of the sauna stove should be cleaned at least once a year. This work should be ordered as a service from a qualified chimney sweep. When cleaning the sauna stove, you should observe all local fire and safety regulations that stipulate the fire safety requirements for cleaning heating equipment (RTL 1998,195/196, 771 and RTL2000,99,1555).

The flues of the sauna stove are cleaned at least once a year. To do this, the upper stone layer should be removed from the stove so that access to the cleaning hatches is possible. If soot is visible inside the sauna stove, the flues should be swept. Every qualified chimney sweep has the appropriate equipment for this.

Also, check the condition of the stones in the sauna stove at least once a year.

Replace any cracked or otherwise damaged stones with new ones. Depending on the intensity of sauna use, it is necessary to partially or completely replace the stones with new ones on average every two years. When the stones that have outlived their time, heating takes longer, which in turn puts more strain on the structure of the sauna stove, wastes heating material and reduces the quality of the steam.



Tutorial video

Clean the door glass regularly, preferably before each heating. Special fireplace glass cleaners sold in stores are suitable for cleaning. You can also use moistened kitchen paper towels. Dip the moistened paper towel in fine white ash in the hearth and scrub away the soot deposited on the door. Then clean and dry the glass with a clean paper.

Check the condition of the door seal every time you clean the glass. If the door seal is damaged or comes loose, the sauna stove should not be heated. Without a seal, the combustion process receives too much air and can cause overheating. The door seal can be replaced. You can order a suitable seal and glue as HUUM's spare parts. See **Appendix 4, page 29**.

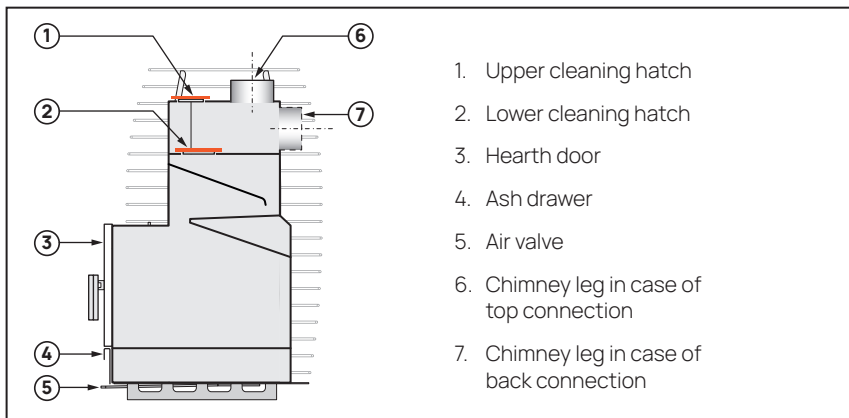


Figure 18. Details of HIVE Flow sauna stove.

REMOVAL FROM USE

HUUM sauna stoves are designed to last with the aim of leaving the smallest possible ecological footprint on the environment.

When the sauna stove has served its time, take it and the related parts to a designated collection point for disposal in accordance with local legal regulations.

General instructions for removal of the sauna stove from use:

1. Clean the hearth and flues of the sauna stove.
2. Disconnect the sauna stove from the chimney flues and close them.
3. Take the metal structures of the sauna stove to the designated collection point (e.g. designated metal recycling center).
4. Take the glass parts of the sauna stove to the designated collection point (e.g. designated waste center).

WARNINGS AND NOTES

The sauna stove is designed to heat the sauna room to the temperature of enjoying steam. It should not be used for any other purpose.

Do not heat the sauna stove if you do not have sufficient knowledge or if your state of health does not allow it to be done correctly.

Due to the large stone mass of the sauna stove, it takes time to reach the desired temperature in the sauna room. Allow for time for the sauna stove to reach optimal temperature according to the operation manual. If you try to rush the heating by ignoring the rules of use, it leads to overheating, damage to the sauna stove and flues, and the risk of fire. The properly heated sauna stove stores heat for a long time and creates mild steam.

The best sauna room temperature for enjoying steam is **60 - 80 °C**.

- Minors are not allowed to heat or use the sauna stove without adult supervision.
- Do not leave the sauna stove unattended in burning mode.
- The sauna stove can only be used when properly filled with stones.
- It is forbidden to cover the sauna stove, it causes a fire hazard.
- Do not touch the heated sauna stove, it will cause burns.
- The air valve and ash drawer become hot during heating. Use gloves or a fire poker to handle these.
- If the sauna stove overheats or other problems occur (e.g. soot fire in the flue), stop the burning process immediately. To do this, make sure that the ash drawer is closed and close the air valve at the edge under the sauna stove. If possible, limit the air supply to the sauna room. In case of a soot fire, be sure to have the chimney sweep clean the flue before the next use and check the condition of both the flue and the sauna stove.

- Avoid getting water on the hot door glass of the sauna stove! Tests have shown that the door glass of the sauna stove is durable, but the manufacturer's warranty does not apply to the glass. If the door glass is broken, order a replacement glass as a HUUM spare part. The list of spare parts **Appendix 4, page 29**.

ATTENTION! Heating the sauna stove with cracked glass is prohibited!

- If the sauna stove has not been used for a long time, make sure that both the sauna stove and the flue are in good condition before heating.
- To clean the hearth and use it safely, stock up on handy hearth accessories for the sauna room (scoop, brush, poker). Store these in a lower temperature (up to 40 °C) part of the sauna room (e.g. under the sauna bench).
- Changing or rebuilding the structure of the sauna stove is prohibited.

SOLVING PROBLEMS

The draft of the sauna stove is weak

- The sauna stove has not been used for a long time and the flue and stones are damp.
- The sauna stove does not get enough air or there is underpressure in the sauna due to ventilation. Underpressure can be caused, for example, by using a kitchen hood.
- The sauna stove has not been cleaned for a long time.
- Leakage in the connection pipe.

The sauna is not heating up properly

- Firewood is damp or too thick.
- The power of the sauna stove does not correspond to the cubic capacity of the room.
- The draft of the sauna stove or flue is weak.
- The sauna stones are dirty, crumbled. Inappropriate stones have been used.
- Structural and ventilation errors in the sauna.

The sauna stove creates an unpleasant odor

- Pre-installation heating has not been done (see "**Pre-installation heating**" on page 6)
- The sauna stones have not been washed before installation.
- Grease or dirt has accumulated on the stones.
- Steam water is not clean.

The sauna stove is overheating

- The ash drawer is open during heating.
- The chimney draft is too big.
- Firewood is too thin and/or dry.
- The amounts and intervals of batches are incorrect (see **Appendix 1, page 26**)

The oven glass is getting sooty

- Sooting of the glass during oven ignition is normal. It is caused by humidity in the air and cold surfaces where water condenses. When starting the heating, keep the door slightly open by a couple of millimeters for the first few minutes to allow the surfaces to dry, and then close the door completely.
- The wood used for heating is too moist. If possible, store/dry the wood indoors.

A flame shoots out when opening the door of the stove.

- Do not open the stove door during the intense burning phase. If it is necessary for some reason, first open the door a few millimetres for 10 seconds. Then you can open the door as much as necessary.

WARRANTY

General provisions:

- The purchaser is obliged to review the product operation manual and follow the requirements stated in the operation manual.
- The warranty is valid if the product has a technical defect or error caused by the manufacturer.
- The warranty includes the replacement of parts with product or manufacturing defects.
- The length of the warranty period is 5 years from the date of purchase of the product for the private use and 1 year for public use..
- The warranty does not extend to failures due to non-compliance with the rules of use given in the manual.

ATTENTION! The warranty is based on the presentation of the purchase receipt/ invoice. The right to submit a claim is valid on the condition that the product has been used only for the intended purpose and conditions.

Terms of warranty:

- The warranty does not cover the defects caused by normal wear and tear of the product.
- The warranty does not apply to the stove door glass.
- The warranty does not apply to sauna stones.
- Door and glass seals: 2 years for private use, 1 year for public use.

The warranty does not cover failures caused by:

- Product transportation and other accidental damage;
- Careless or unintended storage and use of the product and from overloading.
- Non-compliance with the product installation and operation instructions and safety requirements.

The warranty is not valid as follows:

- The manufacturer is not responsible for the consequences caused by overheating and the warranty does not extend to an improperly heated sauna stove.
- If the product has been repaired by an unauthorized person, the parts that do not belong to the product have been added or the consumables not accepted by the manufacturer have been used.
- The set of the product is not complete.

Find the most up-to-date information on our website: huum.eu


APPENDIX 1

TECHNICAL DATA OF THE SAUNA STOVE

	Flow	Flow LS	Flow Mini	Flow Mini LS
Size of the sauna room m ³	8.18	8.18	6.14	6.14
Height from the floor mm	884	884	884	884
Width mm	526	526	450	450
Depth (without handle) mm	586	706	493	613
Chimney leg diameter mm	114	114	114	114
Chimney temperature class	T450	T450	T450	T450
Minimum cross-section of the chimney mm ²	10 400	10 400	10 400	10 400
Weight without stones kg	67	73	54	59
Weight of heating stones kg	150	150	105	105
Stone size mm	50..150	50..150	50..150	50..150
Fuel	firewood	firewood	firewood	firewood
Maximum length of firewood mm	400	400	300	300
Recommended length of firewood mm	300	300	300	300
Ignition quantity maximum kg	5	5	3,8	3,8
Minimum burning time of the ignition quantity in minutes	75	75	65	65
First reheating quantity maximum kg	2,2	2,2	1,8	1,8
Minimum burning time of the first reheating quantity in minutes	35	35	35	35
Second reheating quantity maximum kg	1,8	1,8	1,4	1,4
Maximum fuel quantity per hour kg/h	4	4	3,5	3,5
Nominal heating capacity KW	9,8	9,8	8,5	8,5
Gross efficiency %	74,9	74,9	75,1	75,1
Average flue gas temperature at nominal heating capacity °C	339	339	319	319
Maximum flue gas temperature at nominal heating capacity °C	385	385	343	343
CO (13% O ₂) mg/m ³	346	346	686	686
PM (13% O ₂) mg/m ³	17	17	14	14
NO _x (13% O ₂) mg/m ³	68	68	81	81
OGC (13% O ₂) mg/m ³	34	34	51	51
Flue gas mass flow g/s	8,6	8,6	7,9	7,9


APPENDIX 2

DECLARATION OF HIVE FLOW PERFORMANCE

EN 15821:2010 Wood-burning sauna stoves with reheating for heating rooms in residential buildings. <ul style="list-style-type: none"> • Sauna stove HIVE Flow • HIVE Flow LS BlmSchV Stufe 2 01/26/2010 DIN EN 13240 ECODESIGN 2022 2015/1185		
		HUUM OÜ Vahi tee 9 60534 Vahi küla Tartumaa Estonia
Fire safety		Compliant with requirements
Safety distances	Back (mm)	150
	Side (mm)	150
	Above (mm)	1000
Emission of combustion products		Compliant with requirements
Surface temperature		Compliant with requirements
Release of hazardous substances		NPD
Cleanability		Compliant with requirements
Flue gas temperature		339 °C
Mechanical strength		Compliant with requirements
Heating capacity and energy efficiency		
CO (13% O ₂)		346 mg/m ³
PM (13% O ₂)		17 mg/m ³
NO _x (13% O ₂)		68 mg/m ³
OGC (13% O ₂)		34 mg/m ³
Overall efficiency		74,9 %
Flue draught		12 Pa
Heating capacity		9,8 kW
Additional heating quantities		5 kg+2.2 kg+1.8 kg
Duration of use		Compliant with requirements

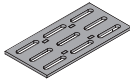
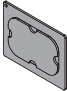
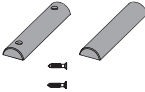
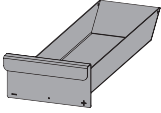

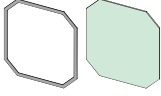
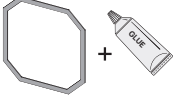


APPENDIX 3

DECLARATION OF HIVE FLOW MINI PERFORMANCE

EN 15821:2010 Wood-burning sauna stoves with reheating for heating rooms in residential buildings. <ul style="list-style-type: none"> Sauna stove HIVE Flow Mini HIVE Flow Mini LS BlmSchV Stufe 2 01/26/2010 DIN EN 13240 ECODESIGN 2022 2015/1185		
		HUUMOÜ Vahi tee 9 60534 Vahi küla Tartumaa Estonia
Fire safety		Compliant with requirements
Safety distances	Back (mm)	150
	Side (mm)	150
	Above (mm)	1000
Emission of combustion products		Compliant with requirements
Surface temperature		Compliant with requirements
Release of hazardous substances		NPD
Cleanability		Compliant with requirements
Flue gas temperature		319 °C
Mechanical strength		Compliant with requirements
Heating capacity and energy efficiency		
CO (13% O ₂)		686 mg/m ³
PM (13% O ₂)		14 mg/m ³
NO _x (13% O ₂)		81 mg/m ³
OGC (13% O ₂)		51 mg/m ³
Overall efficiency		75,1 %
Flue draught		12 Pa
Heating capacity		8,5 kW
Additional heating quantities		3.8 kg+1.8 kg+1.4 kg
Duration of use		Compliant with requirements

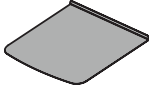
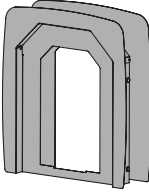
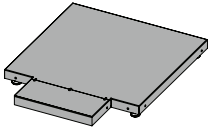
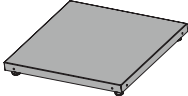


APPENDIX 4

SPARE PARTS

Code	Model	Name	Figure
SP0092	for All Flow models	Ashgrate	
SP0093	for All Flow models	Cleaning hatch	
SP0094	for All Flow models	Wooden parts of the door handle including screws	
SP0095	Flow	Ashdrawer	
SP0096	Flow LS		
SP0097	Flow Mini		
SP0098	Flow Mini LS		
SP0099	Flow/Flow LS	Exterior glass of the door	
SP0100	Flow Mini / Flow Mini LS		
SP0101	Flow / Flow LS	Interior glass of the door with inner glass seal	
SP0102	Flow Mini / Flow Mini LS		
SP0103	for All Flow models	Door seal with adhesive	
SP0106	for All Flow models	Adhesive for attaching the door seal	
SP0107	for All Flow models	Door fixator bushing with mounting bolt	

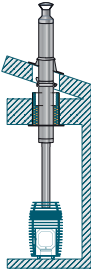
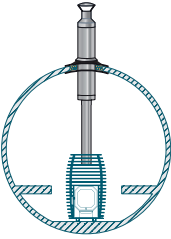
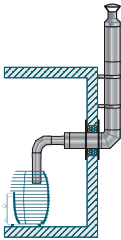
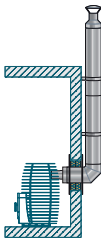
APPENDIX 5

ACCESSORIES

Code	Name/model	Figure
H3017011	Floor protection plate For all HIVE Flow models	
H3016021	Stainless steel Mounting collar for HIVE Flow LS	
H3016031	Black Mounting collar for HIVE Flow LS	
H3018021	Stainless steel Mounting collar for HIVE Flow Mini LS	
H3018031	Black Mounting collar for HIVE Flow Mini LS	
H3016011	Protective bedding for HIVE Flow LS	
H3018011	Protective bedding for HIVE Flow Mini LS	
H3009011	Protective bedding for HIVE Flow	
H3008011	Protective bedding for HIVE Flow Mini	
H3099021	Sauna stones Ø 5-10cm	
H3009041	Stone cage for all HIVE Flow models. Capacity: 35-40 kg of sauna rocks	

APPENDIX 5

ACCESSORIES

Code	Name/model	Figure
H3100	Chimney set, through the ceiling	
H3101	Chimney set, barrel sauna	
H3102	Chimney set, through the wall	
H310202	Rear connection chimney set	

SISUKORD

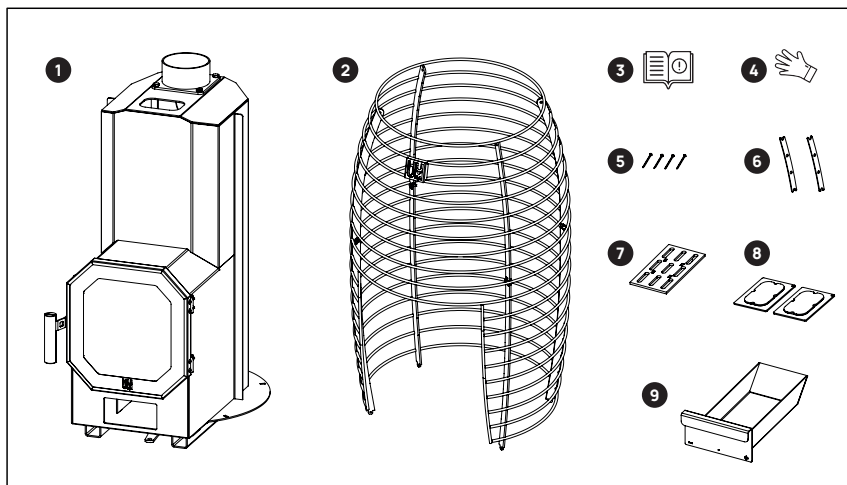
ÜLDINE	34
PAIGALDAMINE	36
PAIGALDAMISEELNE KÜTMINE	36
ALUSPIND	38
OHUTUSKAUGUSED	38
LÕÕRIGA ÜHENDAMINE	41
LEILIRUUM	42
LEILIRUUMI SEINAMATERJALID JA SOOJUSTUS	42
LEILIRUUMI SEINA TUMENEMINE	43
LEILIRUUMI PÕRAND	43
VENTILATSIOON	43
KASUTAMINE	44
KIVIDE LADUMINE	44
KÜTMINE	45
KÜTMISE ALUSTAMINE	47
KOLDE TÄITMINE KÜTMISE AJAL	48
LEILI VISKAMINE	50
KÜTMISE LÕPETAMINE	50
HOOLDUS	51
KASUTUSEST EEMALDAMINE	52
HOIATUSED JA MÄRKUSED	52
PROBLEEMIDE LAHENDAMINE	53
GARANTII	54
LISA 1 - SAUNA AHJU TEHNILISED ANDMED	56
LISA 2 - HIVE FLOW TOIMIVUSDEKLARATSIOON	57
LISA 3 - HIVE FLOW MINI TOIMIVUSDEKLARATSIOON	58
LISA 4 - VARUOSAD	59
LISA 5 - LISATOOTED	60



HIVE Flow

SAUNAAHI

Paigaldus- ja kasutusjuhend



HUUM HIVE Flow saunaahju komplekt sisaldab:

- 1 halupuudega köetav saunaahi;
- 2 metallvõre;
- 3 saunaahju paigaldus- ja kasutusjuhend;
- 4 kuumakindel kinnas;
- 5 splindid;
- 6 metallist kinnitusplaadid (2 tk);
- 7 tuharest;
- 8 puhastusluugid (2 tk);
- 9 tuhasahtel.

Varuosade artiklinumbrid leiate lisadest 4 ja 5.

NB! Saunaahju jaoks on vaja kive. Soovitame kasutada HUUM 5-10cm kerisekive (vt lisa 5 lk 60-61).

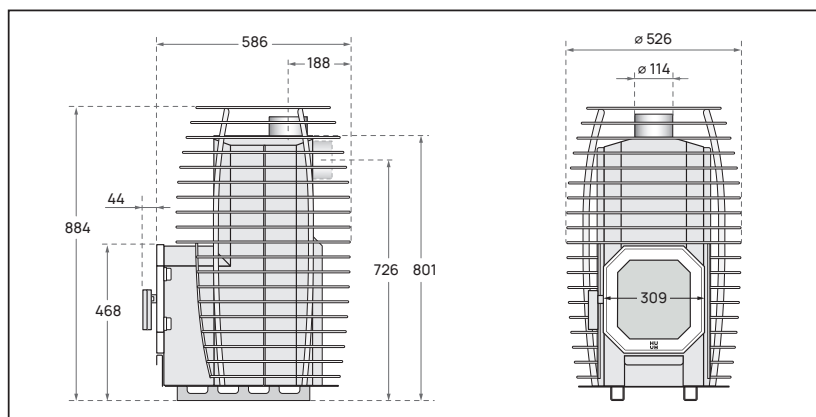
TÄHELEPANU! Juhendis kirjeldatud halupuudega köetavat saunaahju tohib korstnaga ühendada vaid vastava eriala spetsialist.

ÜLDINE

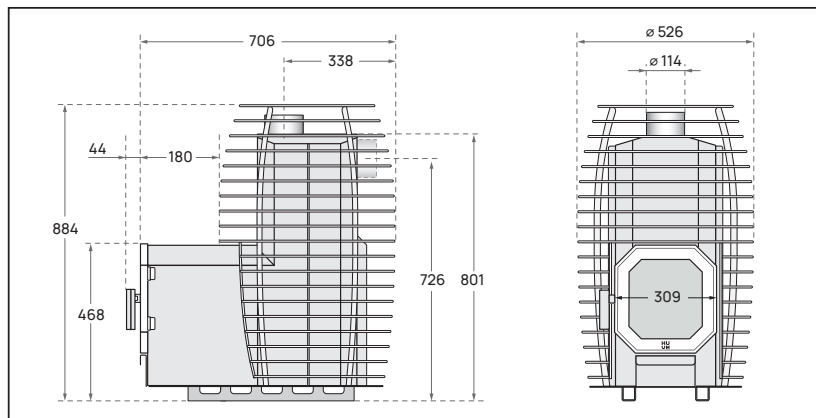
Täname, et valisite **HUUM Flow**. Olete valinud ainulaadse saunaahju, mis on turu puhtaima põlemisega puuküttega keris. Te saate unustamatu saunaelamuse, aga samas hoiate ka keskkonna puhtana.

Optimaalse ja ohutu saunaelamuse tagamiseks on tungivalt soovitatav kasutusjuhend läbi lugeda ja edaspidiseks kasutamiseks alles hoida.

Uusima kasutusjuhendi leiab alati HUUMi kodulehelt: huum.ee

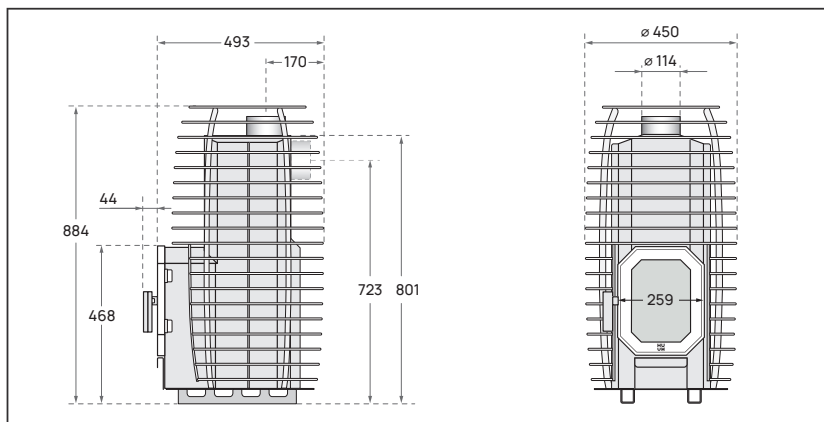


Joonis 1. HIVE Flow saunaahju mõõtmed.

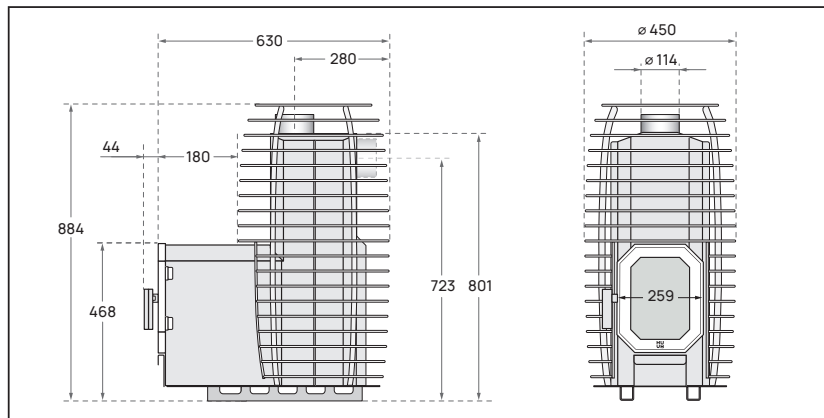


Joonis 2. HIVE Flow LS saunaahju mõõtmed

- Kasutusjuhend sisaldab saunaahju tehnilisi andmeid ning paigaldus-, kasutus- ja hooldusjuhiseid.
- Toode on mõeldud kasutamiseks ainult saunaahjana.
- Saunaahju konstruktsiooni muutmine on rangelt keelatud ja võib põhjustada tõsisid rikkeid. See toob kaasa garantii lõppemise.
- Kasutage ainult tootja pakutavaid HUUM-i varuosi. **Lisa 4, lk 59.**
- Saunaahjule kinnitatud etiketi muutmine või eemaldamine on keelatud.
- Saunaahju tehnilised andmed on toodud lisas 1.



Joonis 3. HIVE Flow Mini saunaahju mõõtmed



Joonis 4. HIVE Flow Mini LS saunaahju mõõtmed

PAIGALDAMINE

- Saunaahju paigaldamisel tuleb järgida kõiki asjakohaseid kohalikke eeskirju, sealhulgas neid, mis viitavad riigipõhiste ja Euroopa standarditele.
- Enne saunaahju paigaldamist ja kasutamist vaadake põhjalikult üle saunaahju leiliruumi paigaldamise nõuded. Küsimuste või lisateabe saamiseks võtke kindlasti ühendust kohaliku või riikliku tuleohutusametiga või konsulteerige volitatud spetsialistiga.
- Enne paigaldamist veenduge, et ahju võimsus vastab leiliruumi mahule. Leiliruumi sobiv kubatuur on toodud **lisas 1**. Kui leiliruumis on soojustamata tellis-, plaat- või klaasseinad, tuleb sellise seina iga ruutmeetri kohta arvestada leiliruumi lisamahuks 1 m³.
- Maksimalne ruumi suurus, kuhu seda ahju on lubatud paigaldada, on esitatud vastavalt standardis EN15821:2010 toodud meetodikale.

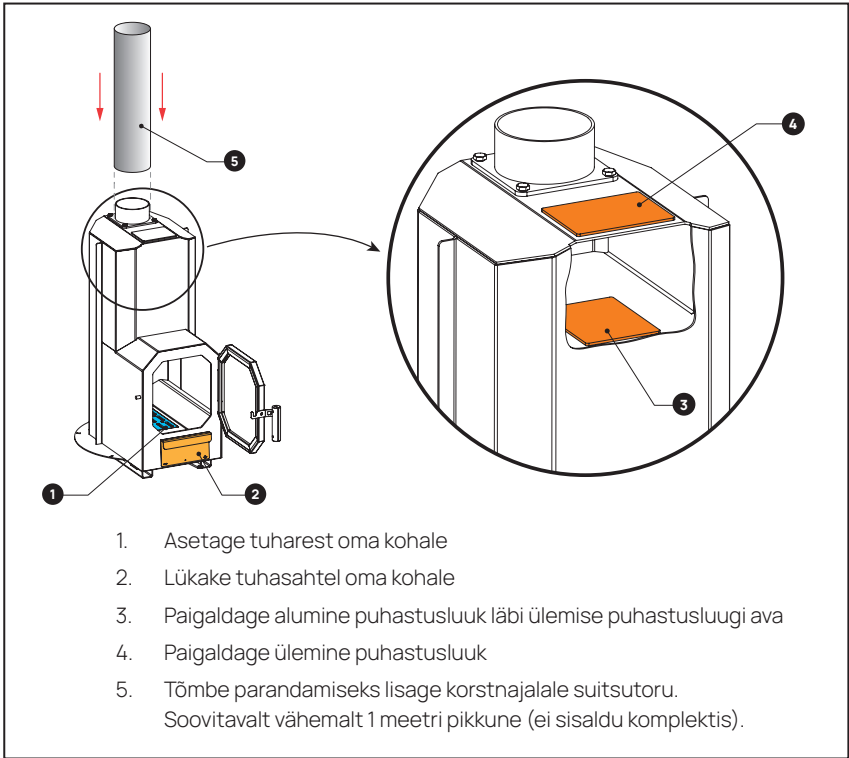
NB! Tootjagarantii kaotab kehtivuse, kui saunaahju võimsus ei vasta leiliruumi mahule, kui ei arvestata soojustamata pindu ja/või kui saunas on ebapiisav ventilatsioon.



Vaadake lisateavet
saunaehituse
parimate tavade kohta

PAIGALDAMISEELNE KÜTMINE

NB! Enne paigaldamist tuleb saunaahju vähemalt korra õues kütta, järgides üldisi tuleohutusnõudeid. See on vajalik, kuna saunaahju korpuse kaitsev värvikiht eraldab esimesel kütmisel kahjulikke ja ebameeldiva lõhnaga aure. Värv omandab vastupidavad omadused esimesel kuumutamisel.



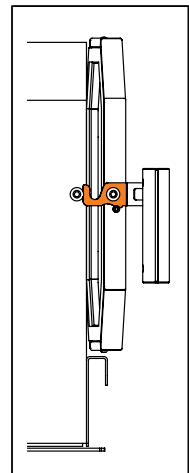
Joonis 5. Ahju kokkupanek paigalduseelseks kütteks.

Kütke saunaahju hästi ventileeritavas ja tuulte eest kaitstud kohas väljas. See võimaldab kerise pindadel ühtlaselt soojeneda.

- Enne esimest kütmist olge ettevaatlik, et te ei kriimustaks saunaahju pinda.
- Paigalduseelse kütmise jaoks eemaldage kivirest.
- Ärge laduge kive saunaahju korpusele.
- Ärge visake esimesel kütmisel saunaahjule vett.
- Esimeseks kütteks piisab 1-2 koldetäiest küttepuudest.
- Kütmise võib lõpetada, kui kerise pinnalt ei eraldu nähtavat suitsu ega auru.
- Paigalduseelse kütmise ajal hoidke ust veidi lahti. Ärge sulgege ust ühelgi etapil esimese kütmise ajal. (Vt joonist 6).

NB! Ukse tihend võib kerise korpuse külge kinni jääda ja eralduda!

- Tõmbe parandamiseks võite kasutada lõplikul paigaldusel kasutatavaid suitsutorusid.



Joonis 6. Ukse asend

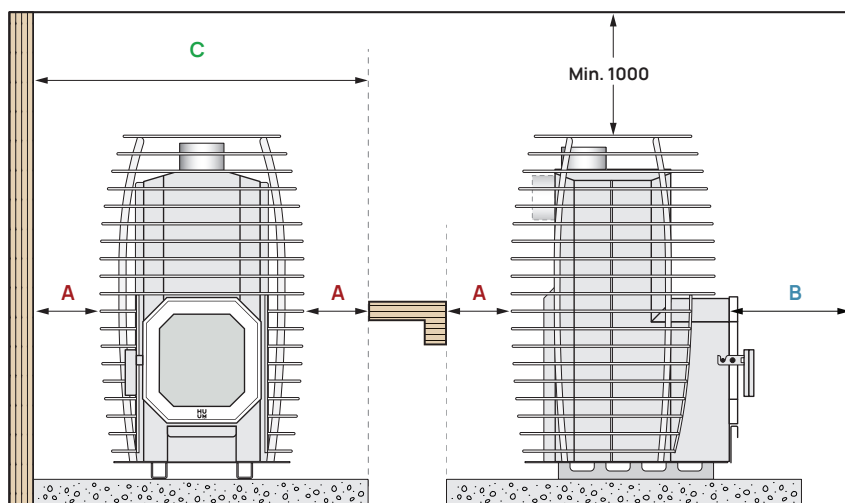
ALUSPIND

Saunaahi paigaldatakse leiliruumis piisava kandevõimega mittepõlevast materjalist põrandale. Sobib betoonpõrand paksusega vähemalt 50 mm.

Kui põrandakütte kaablid või torud asuvad saunaahju all tuleb nende kaitsmiseks soojuskiirguse eest kasutada HUUM saunaahjudele mõeldud kuumaalust või muud mittepõlevast materjalist ning piisava paksuse ja kandevõimega täiendavat kaitset. Teave HUUM kuumaaluse kohta on toodud **lisas 5, lk 60**.

Põlevmaterjalist põranda puhul on kohustuslik kasutada HUUM saunaahjudele mõeldud kuumaalust või mõnda muud mittepõlevast materjalist ning piisava paksuse ja kandevõimega täiendavat kaitset. Sellise aluse ja põranda vahele peab jääma vähemalt 30 mm tuulutuspiilu, et õhk saaks vabalt liikuda.

OHUTUSKAUGUSED



Joonis 7. HIVE Flow saunaahju ohutuskaugused kergestisüttivatest materjalidest (nt puitsein, pink jne).

Tabel 1.	Ruum m ³	Kaal kg	Kivide kogus kg	A mm	B mm	C mm
Flow	8-18	67	150	150	500	826
Flow LS	8-18	73	150	150	500	826
Flow Mini	6-14	54	105	150	500	750
Flow Mini LS	6-14	59	105	150	500	750

Mittesüttivast materjalist seina ja kerise vahele peab jääma vähemalt 50 mm.

Ohutuskaugusi saab vähendada kasutades mittepõlevast materjalist kaitsekraane. Ühekihiline kerge kaitsekraan võimaldab ohutuskaugusi vähendada 50% võrra ning kahekordne kerge kaitsekraan kuni 75%. Kaitsekraan loetakse ohutuskauguse sisse, see tähendab, et kaugust mõõdetakse süttiva materjalini, mitte kaitse sirmini. Kaitsekraani ja saunaahju vahele peab jääma min 50 mm vahe.

Saunaahju ja lae vahelist ohutuskaugust võib vähendada ühekordset kaitsekraani kasutades 25%. Kahekordset kaitsekraani laes ei kasutata.

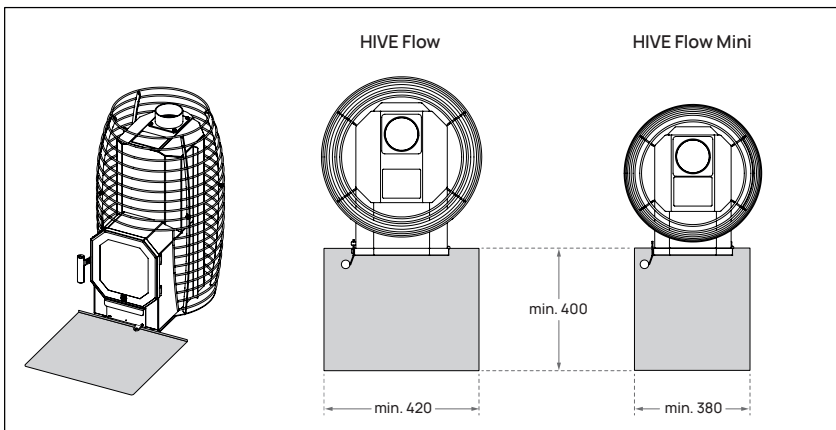
Ühekordne kerge kaitsekraan valmistatakse vähemalt 7 mm paksusest mittesüttivast, kiududega armeeritud tsementplaadist või vähemalt 1 mm paksusest metallplaadist, mis on seina külge piisavalt tugevalt kinnitatud. Kaitstava pinna ja kaitsekraani vahele peab jääma vähemalt 30 mm laiune õhuvahe.

Kahekordse kaitsekraani võib valmistada samadest materjalidest nagu eelpool nimetatud. Nii plaatide kui ka seina vahele peab jääma vähemalt 30 mm laiune õhuvahe. Kaitsekraani ning põrandaja lae vahel peab olema min 30 mm õhuvahe, et tagada õhuringlus.

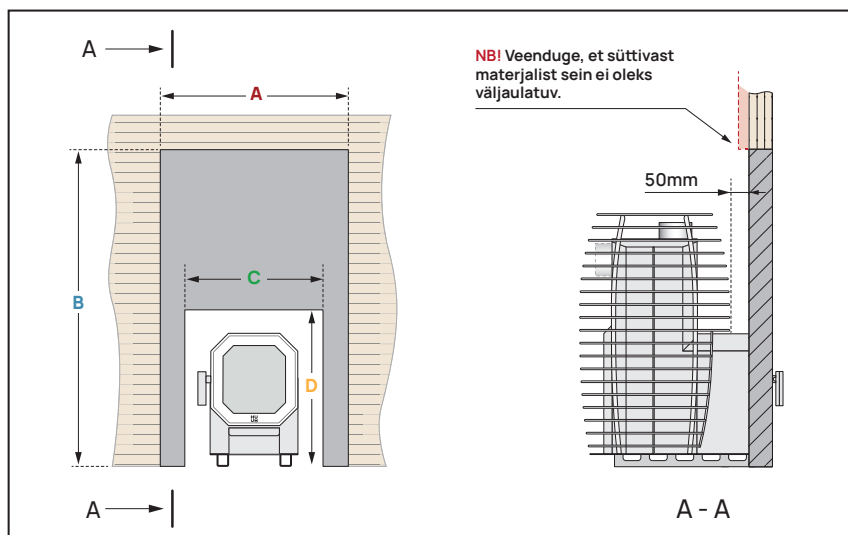
NB! Enne ohutuskauguse vähendamist tutvuge oma riigi kohalike ohutusreeglite ja -eeskirjadega.

Lõõride paigaldamisel tuleb järgida vastava tootja kasutusjuhendis toodud ohutuskaugusi.

Põlevmaterjalist põrandakatte kaitsmiseks kaitsmiseks saunaahju ees, tuleb kerise ette põrandale kinnitada lehtmetailist plaat, mis ulatub minimaalselt 100mm kerise ukse ava külgedest kaugemale ning vähemalt 400 mm kerise ette. Plaadi kerisepoolne serv tuleb üles painutada, et saunaahjust kukkuv süsi ei pääseks saunaahju alla. Teave HUUM põrandakaitseplaadi kohta (müüakse eraldi) on toodud **lisas 5, lk 60**.



Joonis 8. HIVE Flow ja Flow Mini põrandakaitse lehtmetailist plaat (müüakse eraldi).



Joonis 9. HIVE Flow LS ja Flow Mini LS saunaahju paigaldamine läbi seinä.

Mittesüttiva seinä ja ava minimaalsed mõõtmed HIVE Flow LS-i puhul on toodud **tabelis 2**. HIVE Flow Mini LS-i kohta vt **tabel 3**.

Tabel 2.	A mm	B mm	C mm	D mm
Saunaahi põrandal, ilma kinnituskraeta.	650	1050	320	470
Saunaahi põrandal, HUUM paigalduskraega.	650	1050	485	560
Saunaahi kaitsealusel HUUM paigalduskraega.	650	1100	485	615

Tabel 3.	A mm	B mm	C mm	D mm
Saunaahi põrandal, ilma kinnituskraeta.	650	1050	270	470
Saunaahi põrandal, HUUM paigalduskraega.	650	1050	435	560
Saunaahi kaitsealusel HUUM paigalduskraega.	650	1100	435	615

Kuumaalus ja paigalduskrae on paigaldamise lihtsustamiseks ja viimistlemiseks mõeldud tarvikud. Neid esemeid müüakse eraldi. Mittesüttiva seinä maksimaalne paksus HUUM paigalduskraede kasutamisel on kuni 150mm ja ilma selleta kuni 100mm.

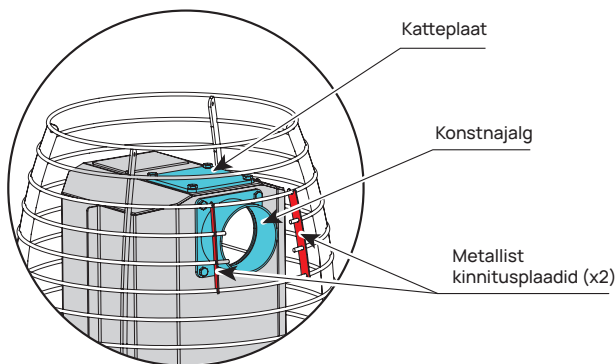
Lisateabe saamiseks vaadake **lisa 5**.

LÕÕRIGA ÜHENDAMINE

NB! Saunaahju võib lõõriga ühendada ainult sertifitseeritud paigalduseksperit.

Lõõr (korsten) peab vastama **lisas 1** toodud spetsifikatsioonidele.

HIVE Flow saunaahju saab lõõriga ühendada nii saunaahju pealt kui tagant. Tagant ühendamiseks tuleb vahetada poltidega kinnitatud korstnajala ja katteplaadi asukohad.



Joonis 10. HIVE Flow tagant ühendamine. Kaks ribi tuleb läbi lõigata vastavalt korstna elemendi läbimõõdule ja ribide lahtised otsad fikseerida pakendis leiduvate metallist kinnitusplaatidega.

- Saunaahju lõõriga ühendamiseks tohib kasutada ainult kohalike tule- ja ohutuseeskirjadega kooskõlastatud suitsutorusid. HUUM pakub standardseid korstnakomplekte, mille üksikasjad leiate **lisast 5**.
- Korstnasüsteemi liitekohad tuleb tihendada spetsiaalse kuumakindla nööri ja/või kivivillaga.
- Lõõride paigaldamisel tuleb järgida vastava tootja juhendis toodud ohutuskaugusi.

Juhendi järgi kõetava saunaahju suitsugaaside keskmine ja maksimaalne temperatuur on alla 400°C. Seetõttu saab saunaahju ühendada olemasoleva suitsugaasisüsteemiga, mis on juba kaminaga ühendatud.

NB! Kindlasti kooskõlastage see eelnevalt kohaliku omavalitsuse ja päästeameti/tuletõrjega, kuna nõuded võivad piirkonniti erineda.

LEILIRUUM

LEILIRUUMI SEINAMATERJALID JA SOOJUSTUS

Saunas tuleks soojustada kõik soojust akumuleerivad seinapinnad (klaas- ja betoonseinad, telliskivi, krohv jne), et kasutada optimaalse võimsusega puuküttega ahju. See hoiab ära soojakao leiliruumis ja kerise ülekuumenemise.

Järgmised saunaehitusjuhised aitavad tagada leiliruumi hea isolatsiooni:

1. Paigaldatud on soojustusmaterjali kiht paksusega 50-100mm (hästi sobivad vahtsoojusplaadid, mida katab aurutõkke foolium).
2. Aurutõkkehita soojustusmaterjali peal on alumiiniumpaber või muu peegeldav materjal. Liitekohad on kaetud fooliumteibiga.
3. Niiskustõkke ja voodrilaua vahele on distantsliistudega jäetud 10mm õhuvähe (soovitav).
4. Siseviimistluseks sobivad nt 12-16 mm puidust voodrilaud. Kontrolli enne voodrilaudade paigaldamist elektrikaableid ning tugevdusi seinades, mis on vajalikud nt kerise ja saunalava paigaldamiseks.
5. Põrandalt tuleva niiskuse vältimiseks võiks laudise distants põrandast olla vähemalt 100 mm.
6. Sein- ja laelaudise vahel on tuulutusvähe min 5 mm.
7. Sauna puitpinnad tuleks katta saunavaha või -õliga, et mustus puitu ei imenduks.

Leiliruumi lagi

Saunaahju võimsuse optimeerimiseks on leiliruumi soovitatav kõrgus 2000 - 2300 mm. Kõrgema leiliruumi puhul on soovitatav lagi alla lasta, vähendades sellega leiliruumi mahtu.

1. Minimaalne lubatud leiliruumi kõrgus HUUM Flow saunaahju jaoks on 1900 mm.
2. Saunalava ülemise astme ja lae vaheline kaugus peaks jääma 1100-1300 mm vahele.
3. Leiliruumi lagi peaks olema isoleeritud samal viisil kui seinad.

NB! Seinte või lae katmisel kuumakaitsega (nt mineraalplaatidega) tuleb materjalide vahele jätta piisav tuulutusvähe. Plaatide paigaldamine otse sein- või laepinnale võib põhjustada sein- ja/või laematerjalide ohtlikku ülekuumenemist.

NB! Küsige oma kohalikelt tuleohutuse eest vastutavatel ametiasutustel, kas tulemüüri osi saab isoleerida. Kasutusel olevate suitsulõõride isoleerimine on keelatud.

LEILIRUUMI SEINTE TUMENEMINE

Aja jooksul võivad leiliruumis kasutatud puitmaterjalid hakata kõrge temperatuuri mõjul tumenema. See on loomulik protsess, mis ei kujuta endast ohtu ja on enamasti tingitud kasutatud puidukaitsevahendi tumenemisest. Samuti võib tumenemist põhjustada kerisekividest murenev ja õhuvooluga üles tõusev peen kivitolm.

Järgides kerise paigaldamisel tootjapoolseid juhendeid, leiliruumi süttivad materjalid ohtlikult kuumaks ei muutu.

NB! Leiliruumi seina- ja laepindade kõrgeim lubatud temperatuur on 140 °C.

LEILIRUUMI PÕRAND

Temperatuuri suurtest muutustest tingituna murenevad ajapikku ka kerisekivid. Koos leiliveega uhutakse kividest eralduvad osakesed ja peen kivitolm sauna põrandale. Kuumad kivitükikesed võivad kerise all ja läheduses kahjustada plastkattega põrandaid. Kerisekivide ja leilivee pritsmed (eriti nt rauarikka vee puhul) võivad imenduda plaatpõranda heledasse vuuki.

Esteetiliste kahjustuste ärahoidmiseks on praktiline kerise all ja ümbruses kasutada keraamilisi plaate ja tumedat vuugitaidet.

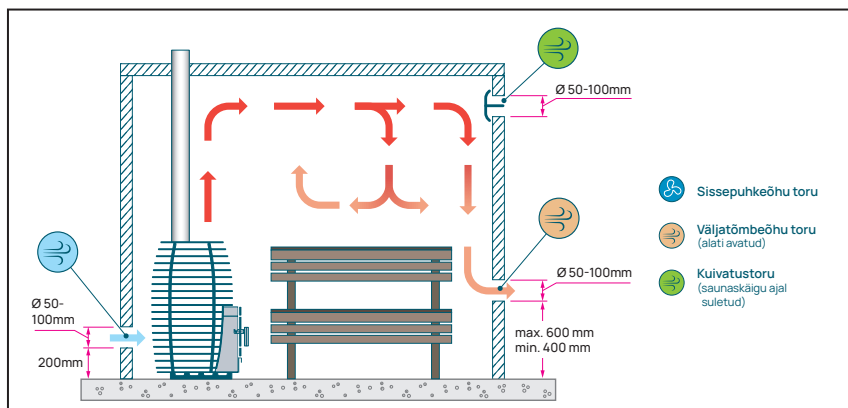
VENTILATION

Leiliruumi ventilatsioon peab olema piisavalt tõhus, kuna üks kilogramm puitu vajab põlemiseks 6 – 10 m³ hapnikurikast õhku. Värske sissetulev õhk tuleb suunata võimalikult saunaahju lähedusse.

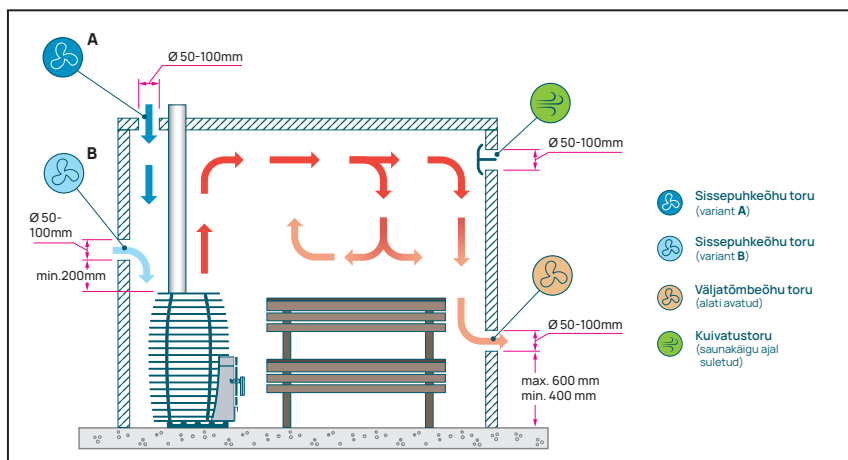
Tervislikuks ja meeldivaks saunakogemuseks on oluline, et sauna kasutamise ajal on leiliruumis tagatud korralik õhuringlus. Juhised korrektse sauna ventilatsiooni lahenduse kohta leiad **HUUMi kodulehelt: huum.ee (HUUM Blogi - Sauna ventilatsioon)**. Pärast sauna kasutamist tuleb ruumi tuulutada, et vabaneda liigniiskusest.

NB! Sundventilatsiooni kasutamine võib põhjustada ruumi õhuvahetuse probleeme ja küttekolde põlemisõhu ebapiisavust.

Veendu enne saunaahju paigaldamist ja kasutamist, kas olemasolev süsteem võimaldab küttekollet kasutada. Vajadusel pöördu lisateabe saamiseks vastava eriala spetsialisti poole.



Joonis 11. Gravitatsioonipõhine ventilatsioon puuküttega saunas



Joonis 12. Mehaaniline ventilatsioon puuküttega saunas

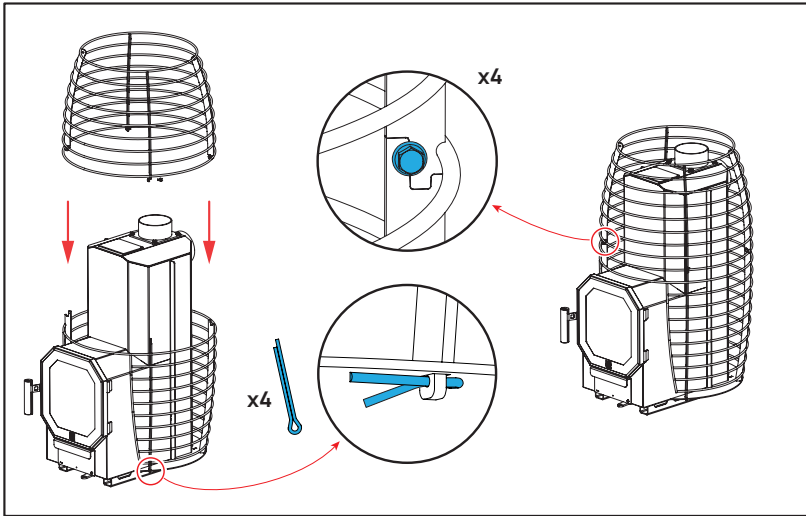
KASUTAMINE

KIVIDE LADUMINE

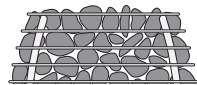
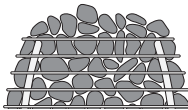
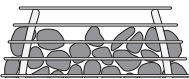
Soovitame kasutada spetsiaalseid HUUM kerisekive (**vt lisa 5 lk 60**). Looduses leiduvad kivid ei pruugi sauna jaoks sobida, kuna need võivad mureneda ja/või eraldada mürgiseid kemikaale.

- Enne kivide ladumist soovitame kivid voolava vee all tolmust puhtaks pesta.
- Enne kivide ladumist veenduge, et puhastusluigid on kindlalt paigas.
- Saunaahjule sobivate kivide suurus ja kogus on toodud **lisas 1**.

- HIVE Flow kivivõre on poolitataav. Alumiste kivide sisestamiseks ja eemaldamiseks tuleb võre ülemine osa eemaldada ja tõsta nii kaugemale kui korstna ühendus võimaldab (**joonis 13**).
- Kivid tuleb laduda ühtlaselt kiht-kihilt. Ära suru kive jõuga kivivõre ja küttekolde vahele.
- Ärge laduge kõrget kivihunnikut ja veenduge enne esimest kasutuskorda, et kõik kivid oleksid kivivõre ülaosaga samal tasemel (**joonis 14**).



Joonis 13. HIVE Flow kivivõre poolitamine.



Joonis 14. HIVE Flow kivide ladumine.

KÜTMINE

NB! Enne paigaldamist tuleb saunaahju vähemalt korra õues kütta, järgides üldisi tuleohutusnõudeid.



Õpetusvideo

- Enne kütamise alustamist veenduge, et saunaahju ümbritsevas ohutuskaugustes ning saunaahju peal ei ole süttivaid esemeid ega -materjale.
- Saunaahju tohib kütta ainult küttepuudega. Sobivad nii leht- kui okaspuud.
- Ärge ületage maksimaalset küttepuude kogust kilogrammides, nagu on näidatud **joonistel 16 ja 17**.

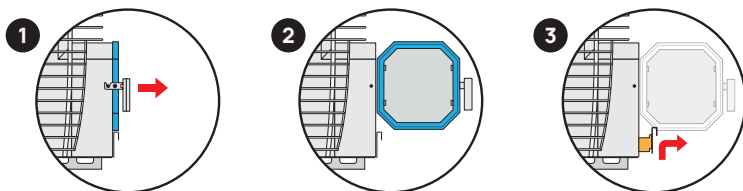
- Küttepuude optimaalne niiskus on 10-15%. Väga kuivad ja peened küttepuud põlevad liiga intensiivselt, suurendades sellega ülekuumenemise ja lõõride liigse kuumenemise ohtu. Liigniiske puit põleb halvasti ja pigistavad saunaahju ukse ja lõõrid.

NB! Muude kütuste, sh vedelkütuste, kasutamine on keelatud!

- Sobivaim küttepuu pikkus on 30 cm. Maksimaalne halu pikkus on 40 cm.
- Koldesse lisatavad küttepuud võiksid olla ühesuurused ja sama jämedusega. Sel viisil toimub põlemine kõige ühtlasemalt.
- Saunaahju kütmiseks sobivad kõige paremini umbes 0,4 - 0,7 kg kaaluvad küttepuud. Väga paksud küttepuud põlevad kaua ja sauna soojenemine võtab kauem aega. Väga peened küttepuud põlevad liiga kiiresti ning saunaahi ja kivid ei suuda soojust salvestada.

NB! Saunaahju katmine on keelatud!

- Kui saunaahju suitsutorule on paigaldatud veepaak, täitke see enne kütmise alustamist puhta veega.
- Veenduge, et tuhares ei oleks ummistunud, vajadusel puhastage see ahjuroobiga. Jätke restile eelmisest korrast põlemata söed. Tühjendage tuhasahtel, kui see on enam kui poolenisti täis.
- Vältige tuha ja põlemisjääkide sattumist kolde alumisse ossa, tuhasahtli alla. Vajadusel eemaldage tuhasahtel ja puhastage see.
- Tuhasahtli tühjendamiseks eemaldamisel avage kolde uks, tõstke tuhasahtel veidi üles ja seejärel tõmmake see välja (tuhasahtlil on ohutuspiiraja, mis takistab selle liigset avamist kütmise ajal). Vaata **joonist 15**.



Joonis 15. HIVE Flow tuhasahtli eemaldamine.

NB! Tuhk ja söed tuleb täielikult kustutada ja jahutada enne tuhasahtli tühjendamist tulekindlasse jäätmenõusse või põlevmaterjali konteinerisse.

- Veenduge, et korstnas on tõmme. Kahtluse korral kontrollige tõmmet, põletades kerise koldes paberit.
- Kasutusjuhendi **Lisas 1** toodud küttepuude lisamise maksimaalset kogust ei tohi ületada. Saunaahju küttekoldesse ei tohi lisada halupuid sagedamini kui näevad ette **Lisas 1** näidatud minimaalsed intervallid. Väga kuivade ja ka peenete halgude korral tuleb küttematerjali kogust vähendada.

NB! Jälgige, et te saunaahju üle ei küta!

Kui saunaahju pind läheb punaseks, on ttegemist ülekuumenemisega. Sel juhul sulgege põlemise intensiivsuse vähendamiseks kohe kerise põhjas olev õhuklapp. Tootja ei vastuta saunaahju deformatsioonide ja kahjustuste eest, mis on tekkinud ülekuumenemise tagajärjel.

Kindlasti tuleb vähemalt mõnel esimesel küttekorrall küttekoldesse sisestatav halupuid üle kaaluda. Hiljem võiks seda protsessi aeg-ajalt korrata, eriti juhul, kui vahetad küttepuude pikkust või liiki. Puuhalgude kaalumiseks sobib harilik vannitoakaal.

KÜTMISE ALUSTAMINE

Esimene kogus küttepuid peaks koosnema keskmise suurusega küttepuudest ja väikesest kogusest peenetest laastudest. Küttepuude maksimaalne kogus kilogrammides on toodud **lisas 1**.

- Alumiseks kihiks lao peenemad halud.
- Keskmiseks kihiks lao kõige jämedamad.
- Ülemine kiht lao peenikestest halgudest koos süütamiseks mõeldud pilbastega.
- Aseta puuhalud võimalikult küttekolde tagumisse ossa, jättes halgude ja tagaseina vahele umbes 10 mm vaba ruumi.
- Lao halud küttekoldesse tihedalt, õhuvahede jätmine halgude vahel ei ole vajalik.

Küttematerjal tuleks **süüdata ülemisest veerandist**. Süütamiseks on mugav kasutada tulesüütevahendit (mittevedelat) või kasetohtu.

NB! Ära süüta halge kunagi alt! See tekitab kütust raiskava ning keskkonda saastava põlemise. Samuti soojenevad nii ahi kui korsten siis aeglasemalt ning kütmissprotsess võtab kauem aega.



- **Õhuklapp saunaahju esiosa all servas** tuleb täielikult avada. Kui korstnas on tõmme liiga suur ja põlemine väga intensiivne, saab põlemiskiirust vähendada õhuklappi reguleerides.
- **Tuhasahtel hoia avatud kuni 15 min** peale süütamist. Tuhasahtlil on piiraja, mis ei lase seda avada rohkem kui 3 mm.
- **Kolde ust võib** pärast süütamist **lahti hoida umbes 2 minutit**. Piisab mõnest millimeetrist. See vähendab niiskuse kondenseerumist ja tahma kleepumist ukseklaasile.
- **Hiljemalt 15 min pärast süütamist** (või varem, kui põlemine on saavutanud hea taseme), **sulgege tuhasahtel täielikult** (lükake sahtel sisse). Jätke see suletuks kogu kütteperioodi ajaks, sealhulgas järgnevate puidukoguste lisamisel.

Tuhasahtli eemaldamine kütmise ajal on keelatud. Avatud või puuduv tuhasahtel tekitab ülekütmise ohu ning ebatõhusa põlemise.

NB! Tootja ei vastuta ülekuumenemisest põhjustatud tagajärgede eest. Valesti köetud saunahajule garantii ei kehti.

ETTEVAATUST! Saunahaju välispinnad ja kivid on kerise kasutamisel väga kuumad!
Ärge puudutage!

NB! Ärge avage kerise ust intensiivse põlemise ajal. Kui see on mingil põhjusel vajalik, avage esmalt uks 10 sekundiks paar millimeetrit. Seejärel saate ust avada nii palju kui vaja. Vastasel juhul võivad leegid tulekoldest välja paiskuda.

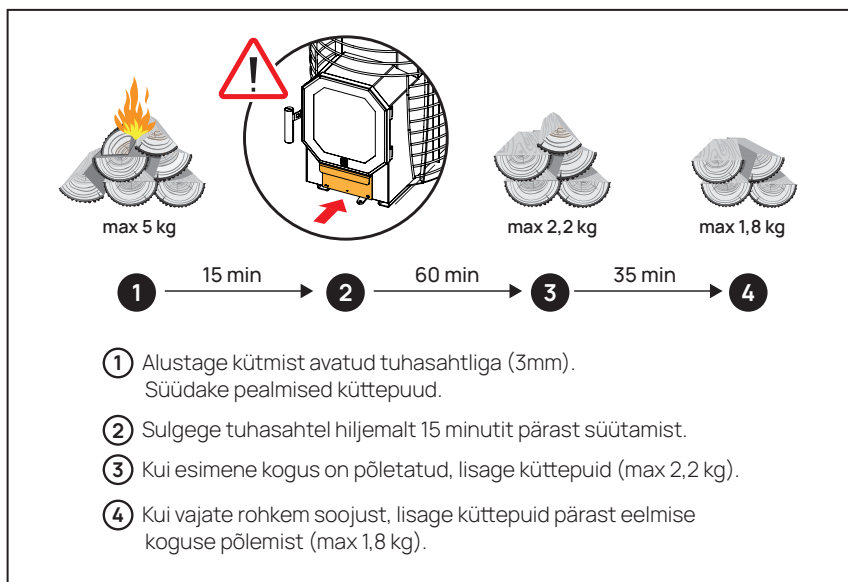
KOLDE TÄITMINE KÜTMISE AJAL

Küttepuude lisamine toimub alles siis, kui esimene ahjutäis on ära põlenud st halud ei ole enam terviklikud ning on tekkinud hõõguvate süte padi. Liiga varajane halupuude lisamine vähendab kerise efektiivsust ning tõstab suitsugaaside temperatuuri korstnas.

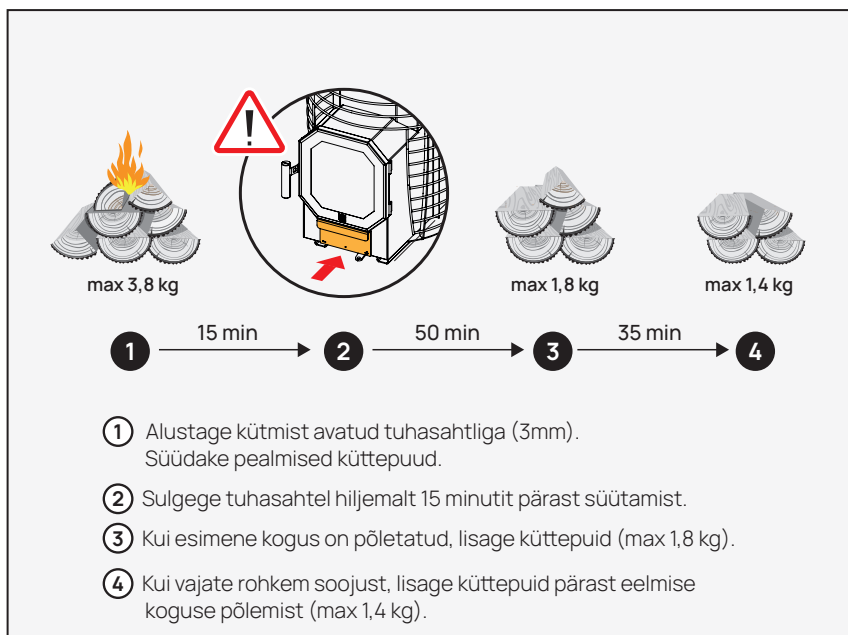
- Valige koldesse võrdse suurusega küttepuud.
- Täitke kolle küttepuudega maksimaalselt 2/3 osas selle kõrgusest.
- **Joonistel 16 ja 17** on näidatud iga täitmiskorra maksimaalne halgude kogus kilogrammides.
- Enne küttepuude lisamist segage söed ahjuroobi abil.
- Laduge küttepuud koldesse tihedalt üksteise vastu, võimalikult tagaseina lähedale.
- Veenduge, et tuhasahtel on suletud (täielikult sisse lükatud) asendis.
- Sulgege kerise uks.

Kui soovitud saunatemperatuuri saavutamiseks on vajalik ka kolde teine täitmine, korrake sama protsessi.

NB! Tuhasahtel peab alati jääma suletuks (välja arvatud süütamisfaasis).



Joonis 16. HIVE Flow kütmise alustamine ja küttepuidude lisamine.



Joonis 17. HIVE Flow Mini kütmise alustamine ja küttepuidude lisamine.

LEILI VISKAMINE

Sauna kuumenedes muutub õhk leiliruumis kuivaks. Meeldiva õhuniiskuse ja parima saunakogemuse saavutamiseks viska kuumadele kerisekividele leili.

- Alusta leiliviskamist alles siis, kui kivid on korralikult kuumad ja vesi aurustub neilt täielikult.
- Kasuta leiliviskamiseks ainult puhast ja sooja vett. Liiga kare ja rauarikas vesi rikub kerisekivide väljanägemist. Ära kasuta soolast ega kloori sisaldavat vett, sest see põhjustab saunaahju kere korrosiooni.
- Soovitame kividele visata korraga umbes 80 ml vett. Kui soovid rohkem leili, oota paar minutit ja viska seejärel uuesti sama kogus. See võimaldab kividel vahepeal kuivada ja uuesti kuumeneda.
- Õli või mõne muu aine baasil valmistatud aroomivedelikud tuleb eelnevalt leilivees lahjendada, vastasel juhul võivad need kuumal saunaahjul või kividel süttida.
- Vala vett ühtlaselt kogu kivide ulatuses.

NB! Ärge kunagi visake leili, kui keegi on kerise vahetus läheduses, kuna kuum leil võib põhjustada põletusi.

KÜTMISE LÕPETAMINE

Põlemise eripära tõttu tekib küttekoldesse palju sütt. Olenevalt saunaahju lisatud halgude kogusest võib küttekoldesse tekkinud süte kiht põleda pikalt, andes seejuures meeldiva lainepikkusega soojust.

Kui soovid, et söed kütmise lõpus kiiremini ära põleks:

- Sega söed roobiga läbi ning koonda küttekolde keskele hunnikusse.
- Ava tuhasahtel nii palju kui see on võimalik. Tuhasahtli turvapiiraja ei lase sahtlit avada üle 3mm. Tekib õhu juurdevool läbi tuharesti ja algab süte intensiivne põlemine.

Soovitame ajastada saunatamine samasse ajavahemikku, kui küttekoldes toimub süte põlemine. Sellega saavutad küttepuude säästu ning parema saunakogemuse. Kui söed on põlenud, sulge tuhasahtel ja ahju ukse all asetsev õhuklapp, nii püsib keris kauem soe.

HOOLDUS

Kvaliteetsete küttepuudega korralikult köetud keris ei tekita lõõridesse tahma ega vaja erilist hooldust. Korsten, suitsutorude ühendused korstnaga ja kerise lõõrid tuleks aga puhastada vähemalt kord aastas. See töö tuleks tellida teenusena kvalifitseeritud korstnapühkijalt. Kerise puhastamisel tuleb järgida kõiki kohalikke tule- ja ohutusnõudeid, mis sätestavad kütteseadmete puhastamise tuleohutusnõuded (RTL 1998,195/196, 771 ja RTL2000,99,1555).

Kerise lõõre puhastatakse vähemalt kord aastas. Selleks tuleks keriselt eemaldada ülemine kivikiht, et tagada ligipääs puhastusluukide juurde. Kui kerise sees on tahma, tuleks lõõrid üle pühkida. Igal kvalifitseeritud korstnapühkijal on selleks vastav varustus.

Samuti kontrollige vähemalt kord aastas kerise kivide seisukorda.

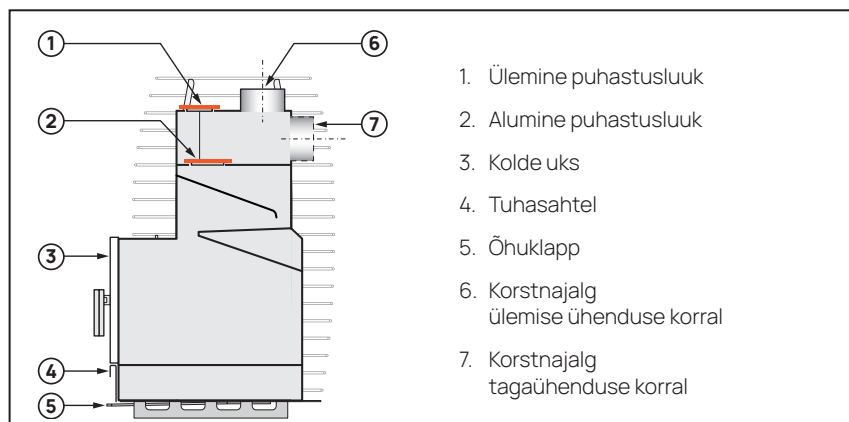
Asendage kõik pragunenud või muul viisil kahjustunud kivid uutega. Olenevalt sauna kasutamise intensiivsusest on keskmiselt iga kahe aasta tagant vaja osaliselt või täielikult kive uute vastu vahetada. Kui kivid on oma aja ära elanud, võtab kütmine kauem aega, mis omakorda koormab rohkem kerise konstruktsiooni, raiskab küttematerjali ja halvendab leili kvaliteeti.

Opetusvideo



Ukse klaasi puhasta regulaarselt, soovitatavalt enne iga kütiskorda. Puhastamiseks sobivad spetsiaalsed poes müüdavad kaminaklaaside puhastusvahendid. Kasutada saab ka niisutatud köögipaberit. Kasta see küttekoldes peene valge tuha sisse ning nühi uksele ladestunud tahm lahti. Seejärel puhasta ja kuivata klaas puhta paberiga.

Kontrollige uksetihendi seisukorda iga kord, kui klaasi puhastate. Kui ukse tihend on kahjustunud või lahti tulnud, ei tohi saunaahju kütta. Ilma tihendita saab põlemisprotsess liiga palju õhku ja võib põhjustada ülekuumenemist. Ukse tihendit saab vahetada. Sobiva tihendi ja liimi saab tellida HUUMi varuosadena. Vt **lisa 4, lk 59**.



Joonis 18. HIVE Flow saunaahju detailid.

KASUTUSEST EEMALDAMINE

HUUM saunaahjud on loodud eesmärgiga jätta keskkonda võimalikult väike ökoloogiline jalajälg.

Kui keris on oma kasutusaja ära elanud, viige see ja sellega seotud osad vastavalt kohalikele seadustele utiliseerimiseks ettenähtud kogumispunkti.

Üldised juhised saunaahju kasutusest eemaldamiseks:

1. Puhasta saunaahju kolle ning suitsukäigud.
2. Ühenda saunaahi korstnalõõridest lahti ning sulge need.
3. Saunaahju metall-konstruktsioonid vii selleks ettenähtud kogumispunkti (nt metalli kokkuostu).
4. Saunaahju klaasdetailid vii selleks ettenähtud kogumispunkti (nt jäätmejaama).

HOIATUSED JA MÄRKUSED

Saunaahi on mõeldud leiliruumi kütmiseks leili võtmise temperatuurini. Seda ei tohi kasutada ühelgi muul otstarbel.

Ära küta saunaahju kui sul ei ole piisavaid teadmisi või kui sinu tervislik seisund ei võimalda seda korrektset teha.

Saunaahju suure kivimassi tõttu võtab leiliruumi soovitud temperatuuri saavutamine aega. Küta rahulikult ja vastavalt saunaahju kasutusjuhendile. Kui püüad kütmist kasutusreegleid eirates tagant kiirustada, viib see ülekütmise, saunaahju ning suitsulõõride kahjustumise ja tuleohuni. Õigesti köetud saunaahi salvestab sooja pikaks ajaks ja annab maheda leili.

Parim saunaruumi temperatuur leilitamiseks on **60 - 80 °C**.

- Alaealised ei tohi ilma täiskasvanu järelevalveta saunaahju kütta ega kasutada.
- Ärge jätke saunaahju põlemisrežiimil järelevalveta.
- Saunaahju saab kasutada ainult siis, kui see on korralikult kividega täidetud.
- Keelatud on saunaahju katta, see põhjustab tuleohtu.
- Ärge puudutage köetud saunaahju, see tekitab põletushaavu.
- Õhuklapp ja tuhasahtel lähevad kütmisel kuumaks. Nende käsitsemiseks kasutage kindaid või ahjuroopi.
- Kui saunaahi kuumeneb üle või tekib muid probleeme (nt tahmapõleng lõõris), lõpetage põlemisprotsess koheselt. Selleks veenduge, et tuhasahtel oleks suletud ja sulgege kerise all servas olev õhuklapp. Võimalusel piirake õhu juurdevoolu leiliruumi. Tahmapõlengu korral laske kindlasti enne järgmist kasutuskorda korstna-pühkijal lõõr ära puhastada ning kontrollida nii lõõri kui ka saunaahju seisukorda.

- Vältige vee sattumist saunaahju kuumale ukseklaasile! Testid on näidanud, et saunaahju ukseklaas on vastupidav, kuid tootja garantii klaasile ei kehti. Ukseklaasi purunemisel tellige asendusklaas HUUMi varuosana. Varuosade loetelu lisas 4, lk 59.

NB! Mõranenud klaasiga saunaahju kütmine on keelatud!

- Kui saunaahju pole pikemat aega kasutatud, veenduge enne kütmist, et nii saunaahi kui ka lõõr on korras.
- Kolde puhastamiseks ja ohutuks kasutamiseks hoidke leiliruumi madalama temperatuuriga (kuni 40 °C) osas (nt saunapingi all) vajalikke koldetarvikuid (kühvel, hari, ahjuroop).
- Saunaahju konstruktsiooni muutmine või ümberehitamine on keelatud.

PROBLEEMIDE LAHENDAMINE

Saunaahju tõmme on nõrk

- Saunaahju pole pikka aega kasutatud ning suitsulõõr ja keris on niisked.
- Saunaahi ei saa piisavalt õhku või saunas on ventilatsioonist tingitud alarõhk. Alarõhku võib põhjustada näiteks köögikubu kasutamine.
- Saunaahju pole pikka aega puhastatud.
- Leke ühenduslõõris.

Saun ei kuumene korralikult

- Küttepuud on niisked või liiga jämedad.
- Saunaahju võimsus ei vasta ruumi kubatuurile.
- Saunaahju või suitsulõõri tõmme on nõrk.
- Kerisekivid on määrdunud, murenenud. Kasutatud on mittesobilikke kive.
- Sauna ehituslikud ja ventilatsiooni vead.

Saunaahi tekitab ebameeldiva lõhna

- Paigalduseelne kütmine on teostamata (vt "Paigalduseelne kütmine" lk 36)
- Kerisekive pole enne paigaldamist pestud.
- Kividele on kogunenud rasv või mustus.
- Leilivesi ei ole puhas.

Saunaahi kuumeneb üle

- Kütmise ajal on tuhasahtel avatud.
- Korstna tõmme on liiga suur.
- Küttepuud on liiga õhukesed ja/või kuivad.
- Küttepuude kogused ja intervallid on valed (vt lisa 1, lk 56).

Keriseklaas läheb tahmaseks

- Klaasi tahmumine kerise süütamise ajal on normaalne. Seda põhjustab õhuniiskus ja külmad pinnad, kus vesi kondenseerub. Kütmise alustamisel hoidke üks esimestel minutitel paar millimeetrit lahti, et pinnad kuivaksid, ja seejärel sulgege üks täielikult.
- Kütteks kasutatav puit on liiga niiske. Võimalusel ladustage/kuivatage puit siseruumides.

Ahju ukse avamisel eraldub leek

- Ärge avage kerise ust intensiivse põlemise ajal. Kui see on mingil põhjusel vajalik, avage esmalt üks 10 sekundiks paar millimeetrit. Seejärel saate ust avada nii palju kui vaja.

GARANTII

Üldsätted:

- Ostja on kohustatud tutvuma toote kasutusjuhendiga ja järgima kasutusjuhendis toodud nõudeid.
- Garantii kehtib, kui tootel esineb tehniline defekt või tootja poolt põhjustatud viga.
- Garantii hõlmab toote- või tootmisdefektidega osade asendamist.
- Garantiiperioodi pikkus on 5 aastat alates toote isiklikuks kasutamiseks ostmise kuupäevast. Avalikus kasutuses on garantii pikkus 1 aasta.
- Garantii ei laiene riketele, mis on tingitud juhendis toodud kasutusreeglite mittejärgimisest.

NB! Garantii aluseks on ostutšeki/arve esitamine. Nõude esitamise õigus kehtib eeldusel, et toodet on kasutatud üksnes selleks ettenähtud otstarbel ja tingimustel.

Garantii tingimused:

- Garantii ei kata defekte, mis on tekkinud toote tavapärasest kulumisest.
- Garantii ei kehti ahju ukse klaasile.
- Garantii ei kehti kerisekividele.
- Ukse- ja klaasitihendid: erakasutuseks 2 aastat, avalikuks kasutamiseks 1 aasta.

Garantii ei kata rikkeid, mille on põhjustatud:

- Toote transpordist ja muudest juhuslikest kahjustustest;
- Toote hoolimatust või mittesihipärasest hoidmisest ja kasutamisest ning ülekoormamisest.
- Toote paigaldus- ja kasutusjuhenditest ning ohutusnõuetest mittekinnipidamisest

Garantii ei kehti järgmiselt:

- Tootja ei vastuta ülekütmisest põhjustatud tagajärgede eest ning valesti kõetud saunaahjule ei laiene garantii.
- Kui toodet on remontinud selleks volitamata isik, tootele on lisatud sinna mittekuuluvaid detaile või kasutatud tootja poolt mitteaktsepteeritud kulumaterjale.
- Toote kompleksus ei ole täielik.

Meie veebisaidilt leiate kõige värskema teabe: huum.ee


LISA 1

SAUNA AHJU TEHNILISED ANDMED

	Flow	Flow LS	Flow Mini	Flow Mini LS
Leiliruumi suurus, m ³	8.18	8.18	6.14	6.14
Kõrgus põrandast, mm	884	884	884	884
Laius, mm	526	526	450	450
Sügavus (ilma käepidemeta), mm	586	706	493	613
Korstnajala läbimõõt, mm	114	114	114	114
Korstna temperatuuriklass	T450	T450	T450	T450
Korstna minimaalne ristlõige, mm ²	10 400	10 400	10 400	10 400
Kaal ilma kivideta, kg	67	73	54	59
Küttekivide kaal, kg	150	150	105	105
Kivi suurus, mm	50..150	50..150	50..150	50..150
Kütus	küttepuud	küttepuud	küttepuud	küttepuud
Küttepuude maksimaalne pikkus, mm	400	400	300	300
Soovitav küttepuude pikkus, mm	300	300	300	300
Maksimaalne süütekogus, kg	5	5	3,8	3,8
Süütekoguse minimaalne põlemisaeg minutites	75	75	65	65
Maksimaalne esimene küttekogus kg	2,2	2,2	1,8	1,8
Esimese küttekoguse minimaalne põlemisaeg minutites	35	35	35	35
Maksimaalne teine küttekogus, kg	1,8	1,8	1,4	1,4
Maksimaalne küttekogus tunnis, kg/h	4	4	3,5	3,5
Nominaalne küttevõimsus, kW	9,8	9,8	8,5	8,5
Brutoefektiivsus, %	74,9	74,9	75,1	75,1
Keskmine suitsugaasi temperatuur nimiküttevõimsusel, °C	339	339	319	319
Maksimaalne suitsugaasi temperatuur nimiküttevõimsusel, °C	385	385	343	343
CO (13% O ₂) mg/m ³	346	346	686	686
PM (13% O ₂) mg/m ³	17	17	14	14
NO _x (13% O ₂) mg/m ³	68	68	81	81
OGC (13% O ₂) mg/m ³	34	34	51	51
Suitsugaaside massivoog, g/s	8,6	8,6	7,9	7,9


LISA 2

HIVE FLOW TOIMIVUSDEKLARATSIOON

EN 15821:2010 Puuhalgudega köetavad jätkukütmisega saunaahjud elamutes ruumide kütmiseks. <ul style="list-style-type: none"> • Saunaahi HIVE Flow • HIVE Flow LS BlmSchV Stufe 2 01/26/2010 DIN EN 13240 ECODESIGN 2022 2015/1185		
		HUUM OÜ Vahi tee 9 60534 Vahi küla Tartumaa Eesti
Tuleohutus		Nõuetele vastav
Ohutuskaugused	Taga (mm)	150
	Kõrval (mm)	150
	Ülal (mm)	1000
Põlemissaaduste emissioon		Nõuetele vastav
Pinna temperatuur		Nõuetele vastav
Ohtlike ainete eraldumine		NPD
Puhastatavus		Nõuetele vastav
Suitsugaaside temperatuur		339 °C
Mehaaniline tugevus		Nõuetele vastav
Küttevõimsus ja energiatõhusus		
CO (13% O ₂)		346 mg/m ³
PM (13% O ₂)		17 mg/m ³
NO _x (13% O ₂)		68 mg/m ³
OGC (13% O ₂)		34 mg/m ³
Üldine tõhusus		74,9 %
Lõõri tõmme		12 Pa
Küttevõimsus		9,8 kW
Lisaküttekogused		5 kg+2.2 kg+1.8 kg
Kasutusaeg		Nõuetele vastav

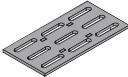
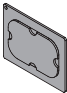
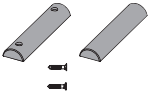
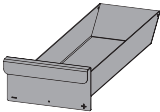

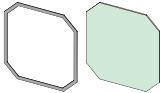
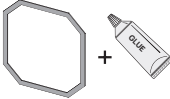


LISA 3

HIVE FLOW MINI TOIMIVUSDEKLARATSIOON

EN 15821:2010 Puuhalgudega köetavad jätkukütmisega saunaahjud elamutes ruumide kütmiseks.		
<ul style="list-style-type: none"> • Saunaahi HIVE Flow Mini • HIVE Flow Mini LS BlmSchV Stufe 2 01/26/2010 DIN EN 13240 ECODESIGN 2022 2015/1185		
Tuleohutus		Nõuetele vastav
Ohutuskaugused	Taga (mm)	150
	Kõrval (mm)	150
	Ülal (mm)	1000
Põlemissaaduste emissioon		Nõuetele vastav
Pinna temperatuur		Nõuetele vastav
Ohtlike ainete eraldumine		NPD
Puhastatavus		Nõuetele vastav
Suitsugaaside temperatuur		319 °C
Mehaaniline tugevus		Nõuetele vastav
Küttevõimsus ja energiatõhusus		
CO (13% O ₂)		686 mg/m ³
PM (13% O ₂)		14 mg/m ³
NO _x (13% O ₂)		81 mg/m ³
OGC (13% O ₂)		51 mg/m ³
Üldine tõhusus		75,1 %
Lõõri tõmme		12 Pa
Küttevõimsus		8,5 kW
Lisaküttekogused		3.8 kg+1.8 kg+1.4 kg
Kasutusaeg		Nõuetele vastav

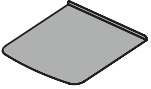
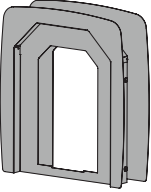
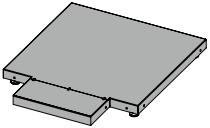
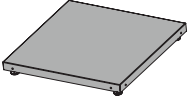


LISA 4

VARUOSAD

Kood	Mudel	Nimi	Joonis
SP0092	Kõigile Flow mudelitele	Tuharest	
SP0093	Kõigile Flow mudelitele	Puhastusluuk	
SP0094	Kõigile Flow mudelitele	Ukse käepideme puidust osad koos kruvidega	
SP0095	Flow	Tuhasahtel	
SP0096	Flow LS		
SP0097	Flow Mini		
SP0098	Flow Mini LS		
SP0099	Flow/Flow LS	Ukse välisklaas	
SP0100	Flow Mini / Flow Mini LS		
SP0101	Flow / Flow LS	Ukse siseklaas sisemise klaasihendiga	
SP0102	Flow Mini / Flow Mini LS		
SP0103	Kõigile Flow mudelitele	Uksetihend liimiga	
SP0106	Kõigile Flow mudelitele	Liim uksetihendi kinnitamiseks	
SP0107	Kõigile Flow mudelitele	Uksekinnituse puks koos kinnituspoldiga	

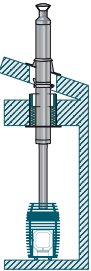
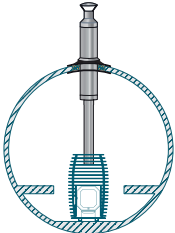
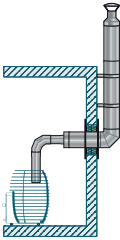
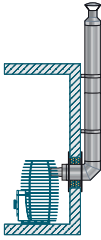
LISA 5

TARVIKUD

Kood	Nimi/mudel	Joonis
H3017011	Põrandakaitseplaat kõigile HIVE Flow mudelitele	
H3016021	Roostevabast terasest kinnituskrae HIVE Flow LS jaoks	
H3016031	Must kinnituskrae HIVE Flow LS-le	
H3018021	Roostevabast terasest kinnituskrae HIVE Flow Mini LS-ile	
H3018031	Must kinnituskrae mudelile HIVE Flow Mini LS	
H3016011	Kaitsealus HIVE Flow LS jaoks	
H3018011	Kaitsealus HIVE Flow Mini LS jaoks	
H3009011	Kaitsealus HIVE Flow jaoks	
H3008011	Kaitsealus HIVE Flow Mini jaoks	
H3099021	Kerisekivid Ø 5-10cm	
H3009041	Kivivõre kõigile HIVE Flow mudelitele. Mahutavus: 35-40 kg kerisekive	

LISA 5

TARVIKUD

Kood	Nimi/mudel	Joonis
H3100	Korstna komplekt, läbi lae	
H3101	Korstna komplekt, tünнисaun	
H3102	Korstna komplekt, läbi sein	
H310202	Tagumise ühendusega korstna komplekt	

INHALTSVERZEICHNIS

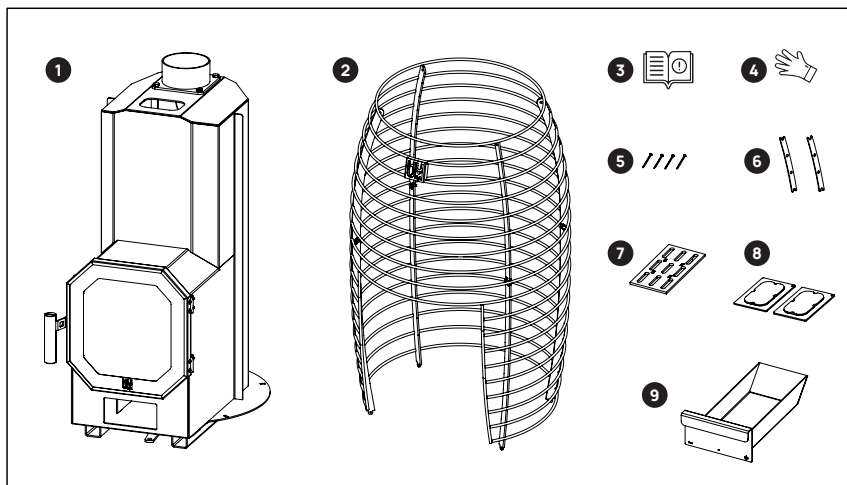
ALLGEMEINES	64
INSTALLATION	66
EINBRENNEN DES SAUNAOFENS VOR DER INSTALLATION	66
AUFSTELLORT	68
SICHERHEITSSABSTÄNDE	38
ANSCHLIESSEN AN DEN RAUCHABZUG	71
SAUNARAUM	72
WANDMATERIALIEN UND ISOLIERUNG DES SAUNARAUMS	72
NACHDUNKELN DER WÄNDE DES SAUNARAUMS	73
FUSSBODEN DES SAUNARAUMS	73
ZU- UND ABLUFT	74
BENUTZUNG	75
STEINE SCHICHTEN	75
AUFHEIZEN – ALLGEMEINE INFORMATIONEN	76
OFEN BEFEUERN	78
BEFÜLLEN DES FEUERRAUMES WÄHREND DES LAUFENDEN BETRIEBS	79
AUGUSS	81
BEENDIGUNG DER NUTZUNG	81
WARTUNG	82
AUSSERBETRIEBNAHME	83
WARNUNGEN UND HINWEISE	84
PROBLEMLÖSUNG	85
GARANTIE	86
ANHANG 1 - TECHNISCHE DATEN DES SAUNAOFENS	87
ANHANG 2 - KONFORMITÄTSERKLÄRUNG ÜBER DIE LEISTUNGSFÄHIGKEIT DES HIVE FLOW SAUNAOFENS	88
ANHANG 3 - KONFORMITÄTSERKLÄRUNG ÜBER DIE LEISTUNGSFÄHIGKEIT DES HIVE FLOW MINI SAUNAOFENS	89
ANHANG 4 - ERSATZTEILE	90
ANHANG 5 - ZUBEHÖR	91



HIVE Flow

SAUNAOFEN

Installations- und Bedienungsanleitung



Zum Produktsatz vom HUUM HIVE FLOW Saunaofen gehören:

- 1 Holzbeheizter Saunaofen ;
- 2 Steinkorb;
- 3 Installations- und Betriebsanleitung;
- 4 Hitzebeständiger Handschuh;
- 5 Splinte;
- 6 Befestigungsplatten aus Metall (2 Stück);
- 7 Aschenkasten;
- 8 Abdeckung für Reinigungsschlitze (2 Stück);
- 9 Aschelade.

Artikelnummern für Ersatzteile sind in den **Anhängen 4** und **5** zu finden.

ACHTUNG! Ein Saunaofen braucht Steine. Wir empfehlen, die HUUM 5-10 cm Saunasteine zu verwenden. (siehe Anhang 5, Seiten 91-92).

ACHTUNG! Der in der Einführung beschriebene holzbeheizte Saunaofen darf nur von einem Fachmann entsprechenden Branche an den Rauchabzug angeschlossen werden.

ALLGEMEINES

Wir danken Ihnen, dass Sie sich für den **HUUM Flow** Saunaofen entschieden haben. Sie haben einen einmaligen holzbeheizten Saunaofen gewählt, das sauberste und umweltfreundlichste Modell am Markt. Genießen Sie ein unvergessliches Saunaerlebnis.

Für ein optimales Saunaerlebnis wird dringend empfohlen, die Bedienungsanleitung durchzulesen und sie für eventuellen zukünftigen Bedarf aufzubewahren.

Die aktuellste Bedienungsanleitung finden Sie immer auf der HUUM Webseite: huum.eu

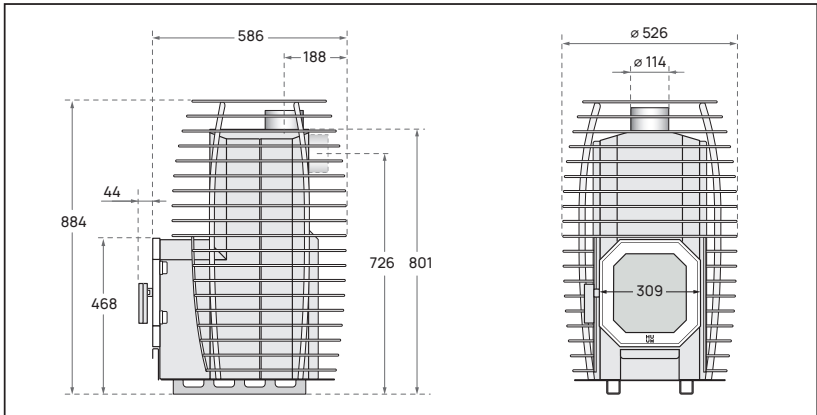


Abbildung 1. Abmessungen des HIVE Flow Saunaofens

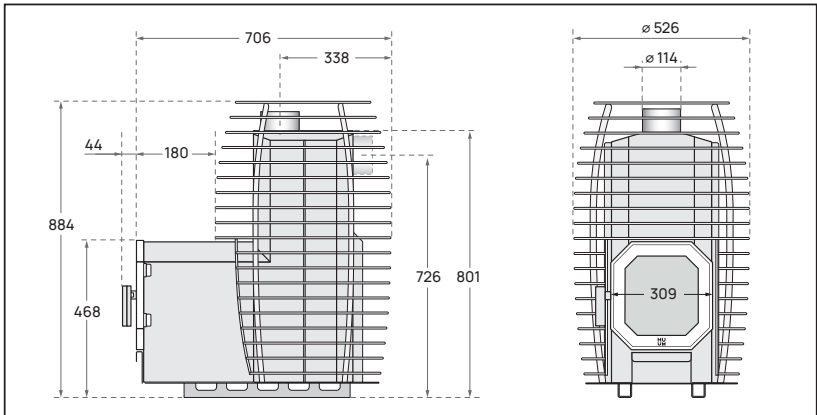


Abbildung 2. Abmessungen des HIVE Flow LS Saunaofens

- Die Bedienungsanleitung enthält technische Daten zum Saunaofen wie auch Hinweise für Installation, Bedienung und Wartung des Ofens.
- Das Produkt ist für Verwendung ausschließlich als Saunaofen gedacht.
- Änderungen an der Konstruktion des Saunaofens sind strengstens untersagt und können zu schwerwiegenden Fehlfunktionen führen. Änderungen führen ausnahmslos zum Erlöschen der Garantie und Gewährleistung.
- Verwenden Sie nur vom Hersteller angebotene Ersatzteile. **Anhang 4, Seite 90.**
- Das Verändern oder Entfernen des am Saunaofen angebrachten Typenschildes ist verboten.
- Technische Daten des Saunaofens sind im **Anhang 1** angeführt.

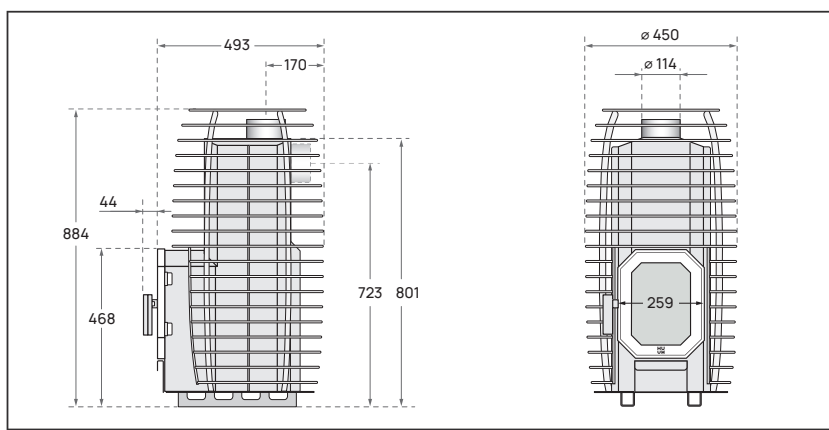


Abbildung 3. Abmessungen des HIVE Flow Mini Saunaofens

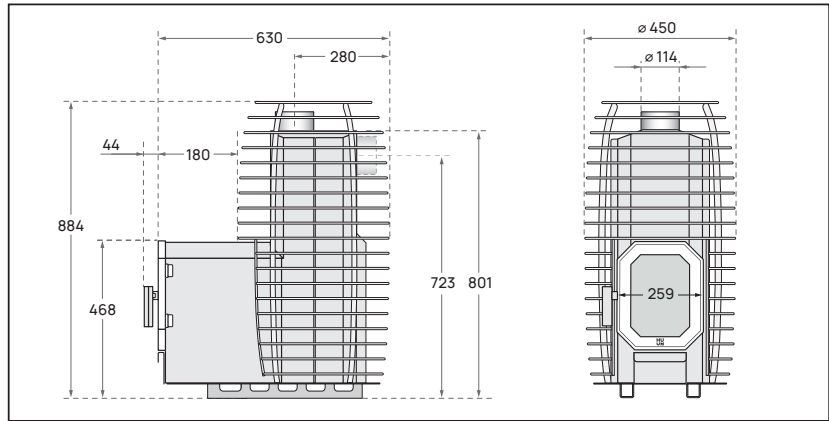


Abbildung 4. Abmessungen des HIVE Flow Mini LS Saunaofens.

INSTALLATION

- Bei der Installation des Saunaofens müssen alle relevanten Vorschriften befolgt werden, einschließlich derjenigen, die sich auf länderspezifische und europäische Normen beziehen.
- Bevor Sie den Saunaofen installieren und verwenden, sollten Sie sich gründlich über die Anforderungen für die Installation des Ofens im Saunaraum informieren. Wenn Sie Fragen haben oder weitere Informationen benötigen, wenden Sie sich bitte an die örtliche oder nationale Brandschutzbehörde oder an einen zugelassenen Fachmann.
- Bevor Sie den Saunaofen einbauen, stellen Sie sicher, dass die Leistung des Ofens dem notwendigen Volumen des Saunaraums entspricht. Details zur Leistung des Saunaofens finden sich in **Anhang 1** in der vorliegenden Bedienungsanleitung. Wenn es im Saunaraum nicht isolierte Wände (z.B. Ziegel-, Fliesen- oder Glaswände) gibt, ist für jeden Quadratmeter einer solchen Wand zusätzlich ein Sauna-Raumvolumen von 1 m³ zu kalkulieren.
- Die maximale Raumgröße, in der dieser Ofen installiert werden darf, wurde gemäß der Methodik der Norm EN15821:2010 angegeben.

ACHTUNG! Die Herstellergarantie erlischt, wenn die Kapazität des Saunaofens nicht dem Volumen des Saunaraumes entspricht, nicht isolierte Flächen nicht berücksichtigt werden und/oder die Sauna nicht ausreichend belüftet wird.



Weitere Informationen über bewährte Verfahren beim Bau einer Sauna finden Sie hier

EINBRENNEN DES SAUNAOFENS VOR SEINER INSTALLATION

ACHTUNG! Der Saunaofen muss vor der INSTALLATION unter Beachtung der allgemeinen Brandschutzmaßnahmen mindestens einmal im Freien aufgeheizt werden. Dies ist notwendig, da die schützende Lackschicht beim ersten Aufheizen eingebrannt wird. Dadurch erhält die Farbe ihre dauerhaften Eigenschaften. Beim erstmaligen Einbrennen gibt der Ofen unangenehm riechende Dämpfe ab, deshalb muss das Einbrennen im Freien passieren.

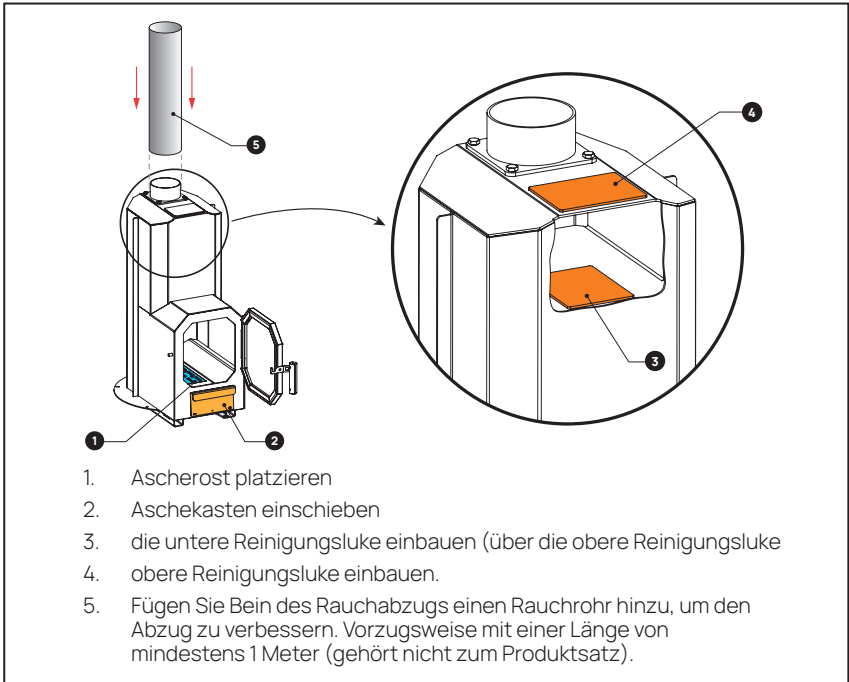


Abbildung 5. Zusammenbau des Saunaofens vor dem Einbrennen.

Das Einbrennen des Saunaofens ist in einem gut belüfteten und windgeschützten Außenbereich vorzunehmen. Dadurch wird eine gleichmäßige Erwärmung der Ofenoberfläche sichergestellt.

- Vor dem ersten Aufheizen des Saunaofens sollte darauf geachtet werden, dass die Oberfläche des Ofens nicht zerkratzt wird.
- Entfernen Sie vor dem Vorwärmen den Steinkorb.
- Legen Sie keine Steine auf das Gehäuse des Saunaofens.
- Werfen Sie beim ersten Aufheizen kein Wasser auf den Saunaofen.
- Für das Einbrennen reicht es, wenn Sie mit 1 bis 2 Chargen Brennholz in den Feuerraum legen.
- Das Einbrennen kann beendet werden, wenn kein sichtbarer Rauch oder Dampf mehr von der Ofenoberfläche austritt.
- Halten Sie während des Einbrennens des Saunaofens die Ofentür leicht geöffnet. Während des Prozesses darf diese keinesfalls geschlossen werden. (siehe **Abbildung 6.**)

ACHTUNG! Die Dichtung der Tür kann sich während des Einbrennvorganges lösen an das Ofengehäuse festkleben!

- Für die Verbesserung des Luftzugs können die auf **Abbildung 6** abgebildeten Kaminrohre verwendet werden.

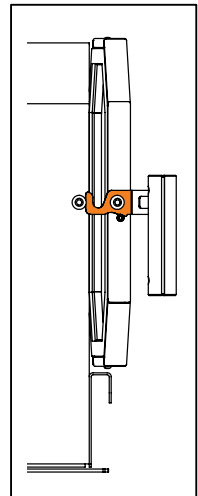


Abbildung 6. Türposition

AUFSTELLORT

Der Saunaofen wird im Saunaraum auf einem Boden aus nicht brennbarem Material mit ausreichender Tragfähigkeit installiert. Geeignet ist ein Betonboden mit einer Dicke von mindestens 50 mm.

Sind unter dem Aufstellort des Saunaofens Kabel oder Rohre für Bodenheizungen verbaut, so ist die Bodenschutzplatte für HUUM-Saunaofen oder ein anderes nicht brennbares Material und ein zusätzlicher Schutz mit ausreichender Dicke und Tragfähigkeit zu verwenden, um diese vor Wärmestrahlung zu schützen. Die Angaben zu HUUM-Bodenschutzplatten finden sich in **Anhang 5 auf Seite 91**.

Fußböden aus brennbarem Material: In diesem Fall ist die Verwendung der Bodenschutzplatte für HUUM-Saunaöfen vorgeschrieben. Sollten andere Materialien verwendet werden, müssen diese eine ausreichende Stärke und Tragfähigkeit vorweisen. Zwischen einer solchen Unterlage und dem Boden muss eine Lüftungslücke von mindestens 30 mm vorhanden sein, damit kein Hitzestau entsteht.

SICHERHEITSABSTÄNDE

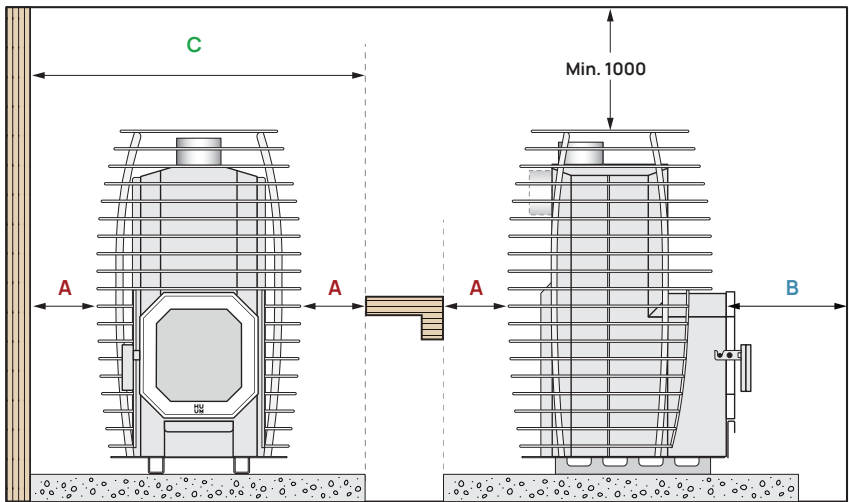


Abbildung 7. Sicherheitsabstände des HIVE Flow Saunaofens von zu brennbaren Materialien (z.B. Holzwand, Bank usw.).

Tabelle 1.	Raum m ³	Gewicht kg	Menge an Steinen kg	A mm	B mm	C mm
Flow	8-18	67	150	150	500	826
Flow LS	8-18	73	150	150	500	826

Flow Mini	6-14	54	105	150	500	750
Flow Mini LS	6-14	59	105	150	500	750

Zwischen der Wand aus **nicht brennbarem Material** und dem Ofen ist ein Mindestabstand von 50 mm einzuhalten.

Die Sicherheitsabstände können durch die Verwendung von Hitzeschutzplatten aus nicht brennbarem Material verringert werden. Der einlagige Hitzeschild ermöglicht eine Verringerung der Sicherheitsabstände um 50%, der doppelte Hitzeschild um bis zu 75%. Bei Benutzung von Hitzeschutzplatten muss der Sicherheitsabstand trotzdem vom Ofen zum brennbaren Material der Saunawand und nicht vom Ofen zum Hitzeschild gemessen werden. Zwischen dem Hitzeschild und dem Saunaofen sollte ein Abstand von mindestens 50 mm liegen.

Der Sicherheitsabstand zwischen dem Saunaofen und der Decke der Saunakabine kann durch die Verwendung eines einlagigen Hitzeschildes um 25% verringert werden. Ein doppelter Hitzeschild kann für die Decke nicht verwendet werden.

Der einwandige Hitzeschild besteht aus einer mindestens 7 mm dicken, nicht brennbaren, faserverstärkten Zementplatte oder aus einer mindestens 1 mm dicken Metallplatte, die fest mit der Wand verbunden ist. Zwischen dem Hitzeschild und der Wand aus brennbarem Material muss ein Abstand von mindestens 30 mm verbleiben, um die Luftzirkulation sicherzustellen.

Der doppelte Hitzeschild kann aus den gleichen Materialien wie oben erwähnt bestehen. Zwischen dem Hitzeschild und der Wand aus brennbarem Material muss ein Abstand von mindestens 30 mm verbleiben, um die Luftzirkulation sicherzustellen.

ACHTUNG! Bevor Sie den Sicherheitsabstand durch Hitzeschilder verringern, prüfen Sie bitte die jeweiligen lokalen Vorschriften.

Bei der Installation des Rauchabzugs sind die in der Bedienungsanleitung des jeweiligen Herstellers angegebenen Sicherheitsabstände einzuhalten

Um Bodenbeläge aus brennbarem Material vor Glut aus dem Saunaofen zu schützen, sollte am Boden vor dem Saunaofen eine Schutzplatte angebracht werden, die mindestens 100 mm über die Seiten und 400 mm vor die Tür des Ofens hinausragt. Ofenseitig sollte die Schutzplatte nach oben gebogen werden, damit eventuell beim Öffnen der Ofentür aus der Brennkammer fallende Kohlstücke nicht unter den Ofen gelangt. HUUM bietet eine passende Platte an (separat erhältlich). Weitere Informationen dazu finden Sie in **Anhang 5, Seite 91**.

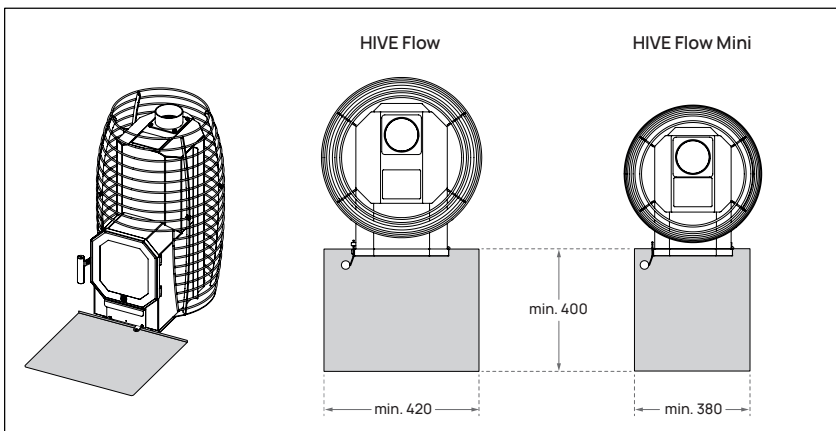


Abbildung 8. HIVE Flow und Flow Mini Fußbodenschutzplatte für den Schutz des Fußbodens vor Ascheresten (separat erhältlich).

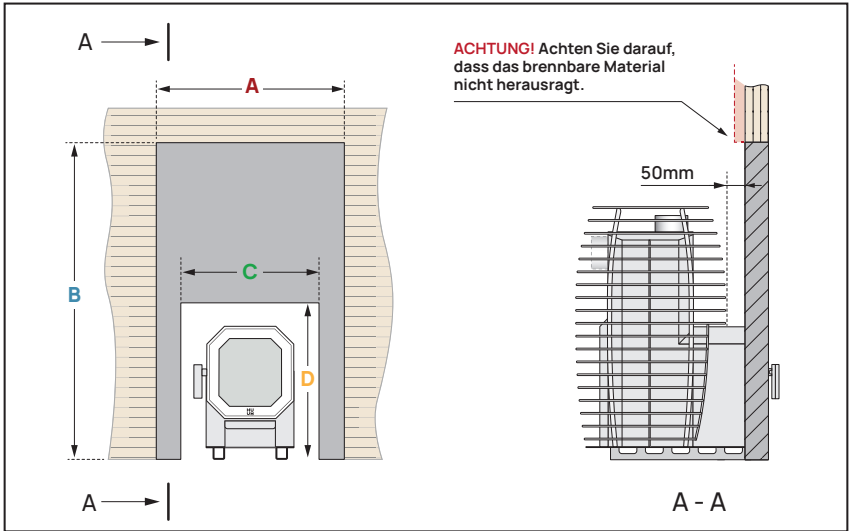


Abbildung 9. Installation der HIVE Flow LS und Flow Mini LS Saunaöfen mit Wanddurchführung.

Die Sicherheitsabstände sowie Dimensionen der Wandausschnitte für die Installation der vorgezogenen Brennkammer bei HIVE Flow LS sind in der **Tabelle 2** angeführt. Für HIVE Flow Mini LS, siehe **Tabelle 3**.

Tabelle 2.	A mm	B mm	C mm	D mm
Saunaofen auf dem Fußboden, ohne HUUM Einbaurahmen.	650	1050	320	470
Saunaofen auf dem Fußboden, mit HUUM Einbaurahmen.	650	1050	485	560
Saunaofen mit HUUM Bodenschutzplatte und HUUM Einbaurahmen.	650	1100	485	615

Tabelle 3.	A mm	B mm	C mm	D mm
Saunaofen auf dem Fußboden, ohne HUUM Einbaurahmen.	650	1050	270	470
Saunaofen auf dem Fußboden, mit HUUM Einbaurahmen.	650	1050	435	560
Saunaofen mit HUUM Bodenschutzplatte und HUUM Einbaurahmen.	650	1100	435	615

Die Bodenschutzplatte und der Einbaurahmen sind Zubehörteile, die die Installation vereinfachen und Ihrer Sauna den Schliff verleihen sollen. Diese Artikel sind separat erhältlich. Die maximale Dicke der nicht brennbaren Wand beträgt bei Verwendung des HUUM-Einbaurahmens 150 mm, ohne diesen 100 mm.

Weitere Einzelheiten finden Sie in **Anhang 5**.

ANSCHLIESSEN DES SAUNAOFENS AN DEN RAUCHABZUG

ACHTUNG! Der Anschluss zwischen Saunaofen und Rauchabzug darf nur von einem zertifizierten Fachmann hergestellt werden.

Der Rauchabzug muss mit Spezifikationen gemäß **Anhang 1** übereinstimmen.

Der HIVE Flow Saunaofen kann sowohl von der Ober- als auch von der Rückseite an den Rauchabzug angeschlossen werden. Für den Anschluss von hinten müssen untenstehende Schritte vorgenommen werden.

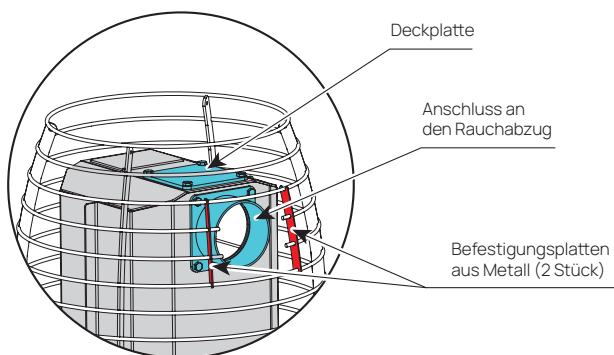


Abbildung 10. Für die Installation des Kamins über die Rückseite des Saunaofens, müssen die in Abbildung 10 gekennzeichneten Rippen des Steinkorbes gemäß des Durchmessers des verwendeten Kaminrohres ausgeschnitten werden. Dies funktioniert einfach mit einer kleinen Metallsäge. Die losen Enden der Rippen sollten mit den in der Verpackung befindlichen Metallbefestigungsplatten befestigt werden, die einfach aufgesteckt werden.

- Für den Anschluss des Saunaofens an den Rauchabzug dürfen nur Rauchrohre verwendet werden, die den örtlichen Brandschutz- und Sicherheitsvorschriften entsprechen. HUUM bietet für Rauchabzug entsprechende Standardkits an. Informationen dazu finden sich in **Anhang 5**.
- Die Verbindung des Ofens mit den Kaminrohren soll mit entsprechenden Dichtungsmaterialien abgedichtet werden (z.B. feuerfeste Ofendichtschnur). Bitte beachten Sie die Angaben des Herstellers des Kaminsets und/oder fragen Sie seinen Fachmann.
- Bei der Installation von Rauchabzügen sind die in den jeweiligen Herstellerangaben angegebenen Sicherheitsabstände einzuhalten.

Die durchschnittliche und maximale Rauchgastemperatur eines gemäß der vorliegenden Anleitung beheizten Saunaofens liegt unter 400°C. Daher kann der Saunaofen an ein bestehendes Rauchgassystem angeschlossen werden. Bitte halten Sie vorab Rücksprache mit dem zuständigen Schornsteinfeger oder Kaminbauer.

ACHTUNG! Bitte halten Sie vor dem Einbau des Saunaofens Rücksprache mit den zuständigen Behörden und/oder Schornsteinfegern, um eventuelle lokale Anforderungen zu erfahren.

SAUNARAUM

WANDMATERIALIEN UND ISOLIERUNG DES SAUNARAUMES

In einer Sauna sollten alle wärmespeichernden Wandflächen (auch Glas- und Betonwände, Ziegelstein, Gips usw.) isoliert sein, damit der Saunaofen mit optimaler Leistung verwendet werden kann. Dies verhindert Wärmeverluste im Saunaraum und Überhitzung des Ofens.

Diese folgenden Richtlinien können Ihnen beim Bau einer gut isolierten Sauna helfen:

1. Es wird eine Isolationsschicht von 50-100 mm Stärke verbaut (dazu eignen sich z.B. Schaumstoff-Dämmplatten oder Mineralwolle abgedeckt mit einer Dampfsperrefolie).
2. Die Isolationsschicht soll mit einer Dampfsperre (Aluminiumfolie oder ein anderes reflektierendes Material) bedeckt sein. Die Verbindungen zwischen der Dampfsperre sind mit Folienklebeband (Aluminiumtape) zu verkleben.
3. zwischen der Dampfsperre und der Innenverkleidung der Sauna ein wird Lüftungsspalt von 10 mm gelassen.
4. Für den Innenausbau eignet sich eine 12-16 mm dicke Innenverkleidung. Stellen Sie vor der Installation der Innenverkleidung sicher, dass alle notwendigen Kabel für die Installation der Saunatechnologie sowie eventuelle Verstärkungen für die Installation von Saunabänken... installiert sind.
5. Um Feuchtigkeit aus dem Boden zu vermeiden, sollte der Abstand zwischen Diele und Boden mindestens 100 mm betragen.
6. Zwischen Wand- und Deckenplatte ist ein Lüftungsspalt von mindestens 5 mm einzuhalten.
7. Saunaoberflächen aus Holz können mit Saunawachs oder -öl beschichtet werden, um Eindringen vom Schmutz in das Holz zu vermeiden.

Decke des Saunaraums

Um die Leistung des Saunaofens zu optimieren, ist die empfohlene Höhe des Sauna-Raums 2000 - 2300 mm. Bei einem höheren Saunaraum ist es ratsam, die Decke zu senken und so das Volumen des Saunaraums zu reduzieren.

1. Die zulässige Mindesthöhe des Sauna-Raums für den **HUUM Flow** Saunaofen beträgt **1900 mm**.
2. Der Abstand zwischen der obersten Stufe der Saunabank und der Decke sollte zwischen 1100 und 1300 mm betragen.
3. Die Decke des Saunaraums sollte nach den gleichen Spezifikationen wie die Wände isoliert werden.

ACHTUNG! Bei der Verkleidung von Wänden oder Decken mit Hitzeschutz (z. B. mit Mineralplatten) sollte zwischen den Hitzeschutzplatten und dem brennbaren Material ein Abstand von mindestens 30mm gelassen werden, um die Luftzirkulation sicherzustellen. Das direkte Anbringen von Hitzeschutzplatten an einer brennbaren Wand- oder Deckenfläche kann zu einer gefährlichen Überhitzung führen.

ACHTUNG! Erkundigen Sie sich bei Ihren örtlichen Brandschutzbehörden, ob es besondere Reglementierungen für den Hitzeschutz gibt. Die Isolierung der Kaminrohre ist im Regelfall untersagt. Bitte beachten Sie in diesem Fall die Anweisung des Herstellers.

NACHDUNKELN DER WÄNDE DES SAUNARAUMS

Mit der Zeit können die im Saunaraum verwendeten Holzmaterialien aufgrund der hohen Temperatur dunkler werden. Dabei handelt es sich um einen natürlichen, ungefährlichen Vorgang, der in der Regel durch die Nachverdunklung des Holzes oder eines eventuell verwendeten Holzschutzmittels verursacht wird. Der Verdunkelungsprozess kann auch durch feinen Steinstaub verursacht werden, der sich von den Saunasteinen löst und durch den Luftstrom hochgezogen wird. Wenn bei der Installation des Saunaofens die Anweisungen des Herstellers befolgt werden, können entzündbare Materialien im Saunaraum nicht gefährlich heiß werden.

ACHTUNG! Die höchste zulässige Temperatur für Wände und Decken im Saunaraum beträgt 140 °C.

FUSSBODEN DES SAUNARAUMS

Aufgrund großer Temperaturschwankungen können die Saunasteine mit der Zeit zerbröckeln. Mit dem Saunawasser werden von den Steinen gelöste Partikel und feiner Steinstaub auf den Saunaboden gespült. Heiße Steinsplitter können mit Kunststoff bedeckte Böden unter und in der Nähe des Saunaofens beschädigen. Tropfen von Aufgusswasser gemischt mit Steinstaub (besonders bei eisenhaltigem Wasser) können in die Fugen von Fliesenböden eindringen und für Verfärbungen sorgen. Um ästhetische Schäden zu vermeiden, sollten unter und um den Saunaofen Keramikfliesen und dunkle Fugenmasse verwendet werden. Wir empfehlen die Benutzung der HUUM-Fußbodenschutzplatte vor dem Ofen.

ZU- UND ABLUFT

Eine gute Luftzirkulation ist zentral für das Funktionieren der Sauna sowie ein angenehmes Saunaklima. Nur so können Sie sicherstellen, dass die Sauna schnell aufheizt, ähnliche Temperaturen in der ganzen Kabine herrschen sowie beständig frischer Sauerstoff zugeführt wird. Außerdem verlängert eine korrekt ausgeführte Positionierung der Zu- und Abluft die Lebensdauer Ihres Saunaofens. Die Belüftung des Saunaraums muss effizient genug sein, um den Ofen mit genügend Frischluft für den Verbrennungsvorgang zu versorgen (ein Kilogramm Holz benötigt zum Verbrennen 6 bis 10 m³ sauerstoffreiche Luft).

Die frische, kühle Zuluft muss möglichst nahe am Saunaofen eingeleitet werden. Deshalb wird eine ausreichend große Zuluftöffnung nahe des Ofens benötigt. Die Positionierung der Zuluftöffnung unterscheidet sich bei der auf Gravitation beruhenden Belüftung (ohne Ventilator) und der mechanischen Belüftung (mit Ventilator). Bitte beachten Sie dazu die Schaubilder. Die Abluftöffnung wird gegenüber des Ofens, meist unterhalb der Saunabänke positioniert. Nahe der Saunadecke kann eine zusätzliche Abluftöffnung zum Nachtrocknen nach dem Saunagebrauch angebracht werden. Diese Nachtrocknenöffnung MUSS während des Saunagebrauches geschlossen gehalten werden. Nach dem Saunagang sollte der Raum gelüftet werden, um überschüssige Feuchtigkeit zu entfernen.

Weitere Informationen zur korrekten Positionierung von Zu- und Abluft finden Sie auf der **Website von HUUM: huum.eu "HUUM Blog - Sauna Ventilation"**

ACHTUNG! Die Verwendung einer mechanischen Belüftung mit Ventilator kann zu Problemen beim Raumluftaustausch und zu unzureichender Verbrennungsluft im Feuerraum führen.

Bevor Sie den Saunaofen installieren und verwenden, stellen Sie sicher, dass ein mechanisches Lüftungssystem den Anforderungen der Saunakabine entspricht. Falls nötig, wenden Sie sich an den HVAC-Ingenieur oder den Sauna-Installateur für weitere Informationen.

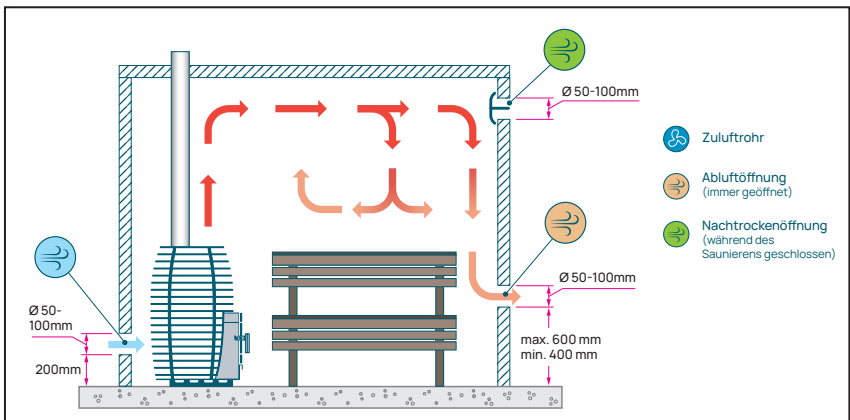


Abbildung 11 Auf Gravitation beruhende Belüftung

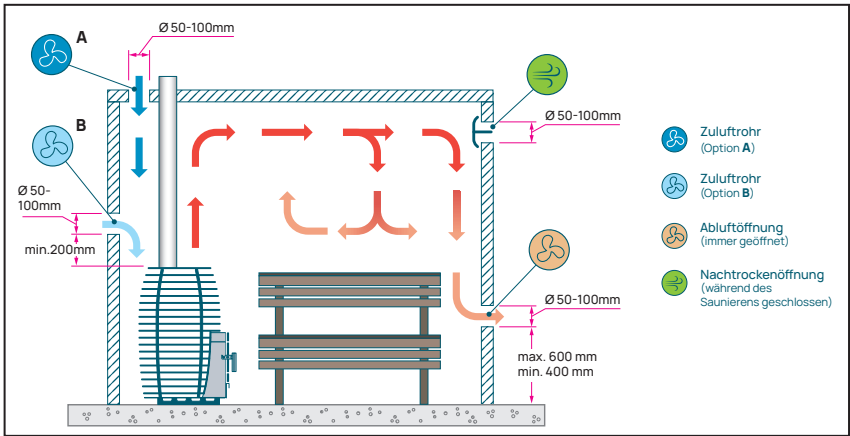


Abbildung 12. Mechanische Belüftung einer Holzbeheizten Sauna.

BENUTZUNG

STEINE SCHICHTEN

Wir empfehlen die Verwendung spezieller HUUM-Saunasteine (siehe **Anhang 5, Seite 91**). Die in der Natur vorkommenden Steine sind möglicherweise nicht für Saunen geeignet, da diese zerbröckeln, zersplittern und/oder giftige Chemikalien freisetzen können.

- Vor dem Schichten der Steine empfiehlt es sich, diese unter fließendem Wasser von Staub zu reinigen.
- Vergewissern Sie sich vor dem Schichten der Steine, dass die Reinigungsluken an der Oberseite des Ofens geschlossen sind.
- Die Größe und Menge der benötigten Steine sind im **Anhang 1** angeführt.
- Das HIVE Flow Steingitter kann in zwei Teile geteilt werden. Dies erleichtert das Befüllen. Bitte achten Sie darauf, den oberen Teil des Steinkorbes wieder aufzusetzen, bevor Sie den Schornstein montieren. (**Abbildung 13**).
- Die Steine sollten gleichmäßig Schicht für Schicht gestapelt werden. Schieben Sie Steine nicht mit Gewalt zwischen Steingitter und Feuerraum, sondern schichten Sie die Steine locker, aufeinander, sodass Hohlräume zwischen diesen bestehen bleiben. Das verbessert die Luftzirkulation und beschleunigt die Aufheizzeit der Sauna.
- Legen Sie die Steine auf gleiche Höhe mit der obersten Rippe des Steinkorbes (**Abbildung 14**).

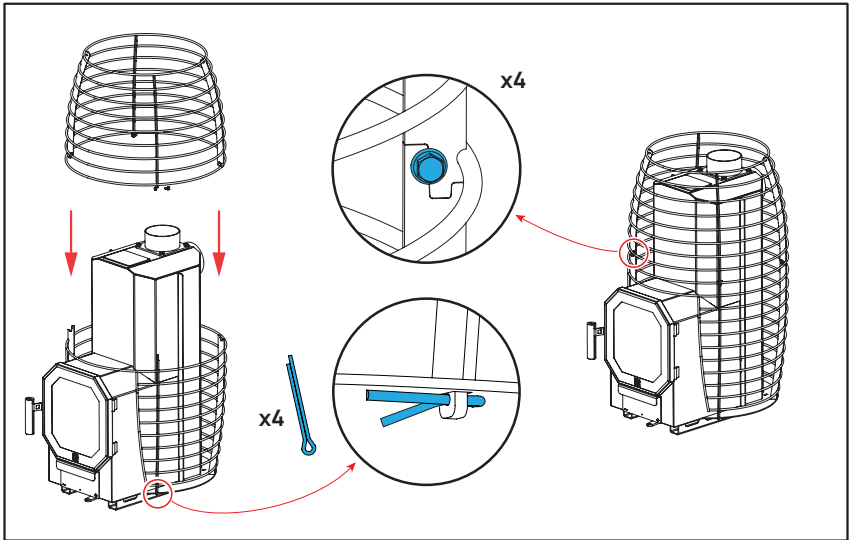


Abbildung 13. Teilen des Hive Flow Steinkorbes

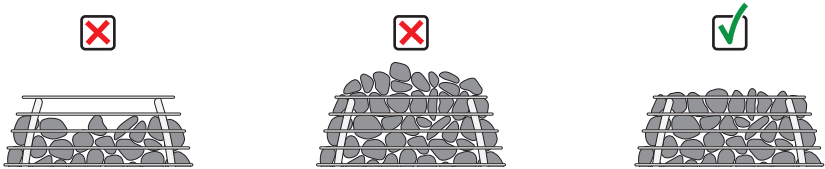


Abbildung 14. Stapeln der Saunasteine

AUFHEIZEN – ALLGEMEINE INFORMATIONEN

ACHTUNG! Vor der **INSTALLATION** muss der **Saunaofen** unter **Beachtung der allgemeinen Brandschutzmaßnahmen** **mindestens einmal im Freien aufheizt werden.**

Tutorial video



- Bevor Sie mit dem Heizen beginnen, stellen Sie sicher, dass rund um den Saunaofen die Sicherheitsabstände eingehalten werden und sich keine brennbaren Gegenstände oder Materialien auf dem Saunaofen befinden.
- Der Saunaofen darf nur mit Brennholz beheizt werden. Geeignet sind sowohl Hartholz als auch Weichholz.
- Überschreiten Sie nicht die maximale Brennholzmenge in Kilogramm, wie in **Abbildungen 16** und **17** angeführt.

- Die optimale Feuchtigkeit vom Brennholz beträgt 10-15 %. Sehr trockenes und feines Brennholz verbrennt zu intensiv, wodurch die Gefahr einer Überhitzung und einer übermäßigen Erwärmung des Rauchabzugs steigt. Zu feuchtes Holz brennt schlecht und verschmutzt die Tür wie auch den Rauchabzug des Saunaofens.

ACHTUNG! Die Verwendung anderer Brennstoffe außer Holz, einschließlich flüssiger Brennstoffe, ist untersagt!

- Die am besten geeignete Brennholzlänge beträgt 30 cm. Die maximale Länge des Stammes beträgt 40 cm.
- Bestenfalls hat das Feuerholz die gleiche Größe und Stärke. Auf diese Weise erfolgt die Verbrennung am gleichmäßigsten.
- Zum Beheizen des Saunaofens eignet sich am besten Brennholz mit einem Gewicht von ca. 0,4 – 0,7 kg. Sehr dickes Brennholz brennt lange und die Sauna braucht länger zum Aufwärmen. Sehr feines Brennholz verbrennt zu schnell und der Saunaofen und die Steine können die Wärme nicht speichern.

ACHTUNG! Es ist verboten, den Saunaofen mit irgendwelchen Materialien abzudecken!

- Wenn am Rauchabzugsrohr des Saunaofens ein Wasserboiler installiert ist, füllen Sie diesen vor dem Heizen mit sauberem Wasser.
- Achten Sie darauf, dass der Aschengitter der Brennkammer nicht verstopft ist und reinigen Sie ihn gegebenenfalls mit dem Feuerhaken. Lassen Sie unverbrannte Kohlen vom letzten Saunagang auf dem Rost. Wenn der Aschekasten mehr als halb voll ist, entleeren Sie ihn.
- Um den Aschekasten für die Entleerung herauszunehmen, öffnen Sie die Tür der Brennkammer, heben Sie den Aschekasten leicht an und ziehen Sie ihn dann heraus (der Aschekasten ist mit Sicherheitssperre ausgestattet, was ein übermäßiges Öffnen während der Benutzung des Saunaofens und somit eine Überhitzung verhindert). Siehe **Abbildung 15**.

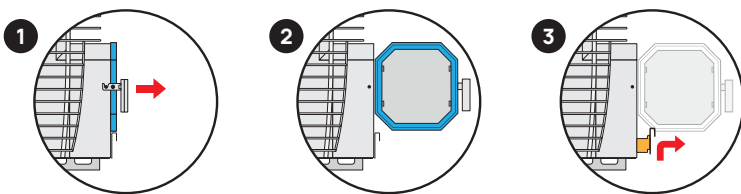


Abbildung 15. Herausnehmen des HIVE Flow Aschekastens.

ACHTUNG! Die Asche und die Kohlen sollten vollständig gelöscht und ausgekühlt sein, bevor der Aschekasten in einen feuerfesten Mülleimer oder einen Behälter für brennbares Material entleert wird.

- Stellen Sie sicher, dass der Rauchabzug zieht. Im Zweifelsfall überprüfen Sie den Luftzug, indem Sie etwas Papier in der Brennkammer des Saunaofens verbrennen.

- Die im **Anhang 1** der Bedienungsanleitung angegebene maximale Brennholzmenge darf nicht überschritten werden. Das Brennholz sollte nicht öfter als in den im **Anhang 1** angegebenen zeitlichen Abständen in den Feuerraum des Saunaofens gelegt werden. Bei sehr trockenem und/oder feinem Brennholz sollte die Menge reduziert werden.

ACHTUNG! Achten Sie darauf, dass der Saunaofen nicht überhitzt!

Wenn sich die Oberfläche des Saunaofens rot verfärbt, liegt eine Überhitzung vor. Schließen Sie in diesem Fall sofort das Luftventil an der Unterseite des Ofens, um die Intensität der Verbrennung zu verringern. Der Hersteller übernimmt keine Haftung für Verformungen und Schäden am Saunaofen, die durch Überhitzung entstehen.

Wir empfehlen, das in den Ofen eingeführte Brennholz während der ersten paar Heizvorgänge zu wiegen, um ein Gefühl für die optimale Holzmenge zu bekommen. Zum Wiegen von Brennholz eignet sich auch eine gewöhnliche Badezimmerwaage.

OFEN BEFEUERN

Die **erste Charge Holz** sollte aus mittelgroßem Brennholz und einer kleinen Menge feines Anzündholz bestehen. Die maximale Brennholzmenge in Kilogramm ist im **Anhang 1** angegeben.

- Legen Sie das dünnere Brennholz als untere Schicht in die Brennkammer.
- Das dickste Holz legen Sie als mittlere Schicht auf das Anzündholz.
- Decken Sie die mittlere Schicht mit dünnem Brennholz und Zündholz.
- Legen Sie das Brennholz so weit wie möglich nach hinten in den Feuerraum und lassen Sie zwischen dem Brennholz und der Rückwand einen Abstand von ca. 10 mm.
- Legen Sie das Brennholz dicht an den Feuerraum, Abstände zwischen dem Brennholz sind nicht erforderlich.

Das **Anzünden** sollte vom **oberen Viertel** des Heizmaterials aus erfolgen. Es ist praktisch, zum Anzünden einen Feueranzünder (nicht flüssig) oder Birkenrinde zu verwenden.

ACHTUNG! Das Feuer niemals von unten anzünden!

Dies führt zu einer Verbrennung, der Brennholz verschwendet und die Umwelt verschmutzt. Außerdem heizen sowohl der Ofen als auch der Rauchabzug langsamer auf und der Aufheizvorgang dauert länger.

Tutorialvideo



- **Das Luftventil am Rand unter dem vorderen Teil des Saunaofens sollte** vollständig geöffnet sein. Wenn der Rauchabzug zu stark und die Verbrennung sehr intensiv ist, kann die Verbrennungsgeschwindigkeit durch Verstellen des Luftventils reguliert werden.
- **Lassen Sie den Aschekasten nach dem Anzünden bis zu 15 Minuten lang geöffnet.** Der Aschekasten verfügt über eine Sperre, die ein Öffnen um mehr als 3 mm verhindert.

- **Die Tür der Brennkammer kann nach dem Anzünden noch ca. 2 Minuten geöffnet bleiben.** Ein paar Millimeter genügen. Dies reduziert die Kondensation von Feuchtigkeit und das Anhaften von Ruß an der Türscheibe.
- **Spätestens 15 Minuten nach dem Anzünden** (oder früher, wenn das Holz ordentlich brennt) **schließen Sie den Aschekasten vollständig.** Halten Sie ihn während der gesamten Heizperiode, auch beim Nachlegen von Holz, geschlossen.

Das Entfernen des Aschekastens während des Heizens ist verboten. Bei einem offenen oder fehlenden Aschekasten besteht die Gefahr einer Überhitzung und einer ineffizienten Verbrennung.

ACHTUNG! Der Hersteller ist nicht verantwortlich für die Folgen einer Überhitzung. Ein falsch beheizter Saunaofen ist nicht von der Garantie abgedeckt.

VORSICHT! Die Außenflächen und die Steine des Saunaofens sind sehr heiß, wenn der Ofen benutzt wird! Nicht anfassen!

ACHTUNG! Während der intensiven Brennphase darf die Ofentür nicht geöffnet werden. Wenn es aus irgendeinem Grund notwendig ist, öffnen Sie die Tür zunächst 10 Sekunden lang einige Millimeter. Dann können Sie die Tür so weit wie nötig öffnen. Andernfalls kann es zu Flammenschlägen aus der Brennkammer kommen.

BEFÜLLEN DER BRENNKAMMER WÄHREND DES LAUFENDEN BETRIEBS

Das Nachlegen von Brennholz erfolgt erst, wenn die erste Charge ausgebrannt ist, das heißt das Brennholz nicht mehr brennt und sich glühende Kohlen gebildet haben. Eine zu frühe Zugabe von Brennholz verringert die Effizienz des Ofens.

- Zum Nachfüllen gleich großes Brennholz wählen.
- Den Brennraum maximal bis zu 2/3 füllen.
- **Auf Abbildungen 16 und 17** wird die maximale Menge vom Brennholz in Kilogrammen für jede Nachfüllung angegeben.
- Mixen Sie die Kohlen mit Hilfe eines Feuerhakens, bevor Sie Brennholz hinzufügen.
- Stapeln Sie das Brennholz dicht in den Feuerraum, so nah wie möglich an der Rückwand.
- **Stellen Sie sicher, dass der Aschekasten in geschlossener (vollständig eingeschobenen) Position ist.**
- Die Ofentür schließen.

Ist zum Erreichen der gewünschten Saunatemperatur auch das zweite Befüllen der Brennkammer notwendig, wiederholen Sie den gleichen Vorgang.

ACHTUNG! Der Aschekasten muss immer geschlossen bleiben (außer während der Anzündephase).

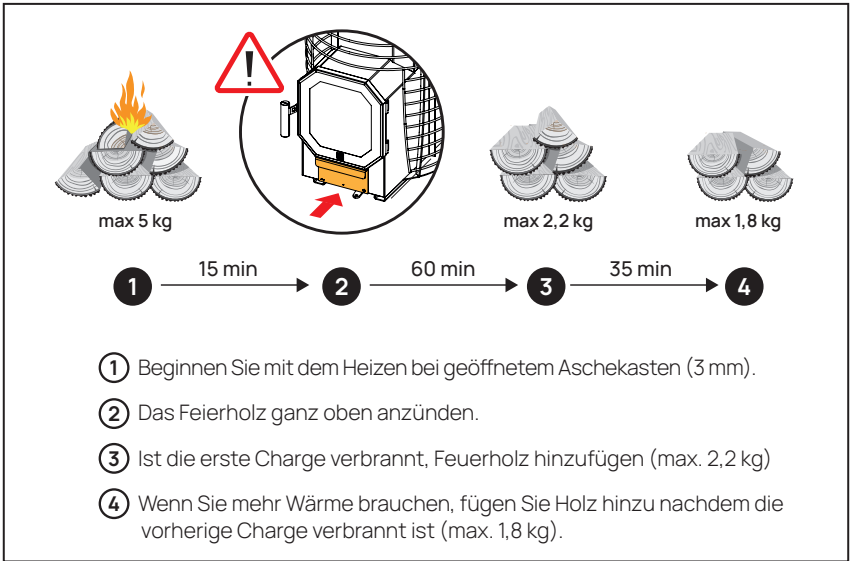


Abbildung 16. Aufheizanweisungen für HIVE Flow Regular.

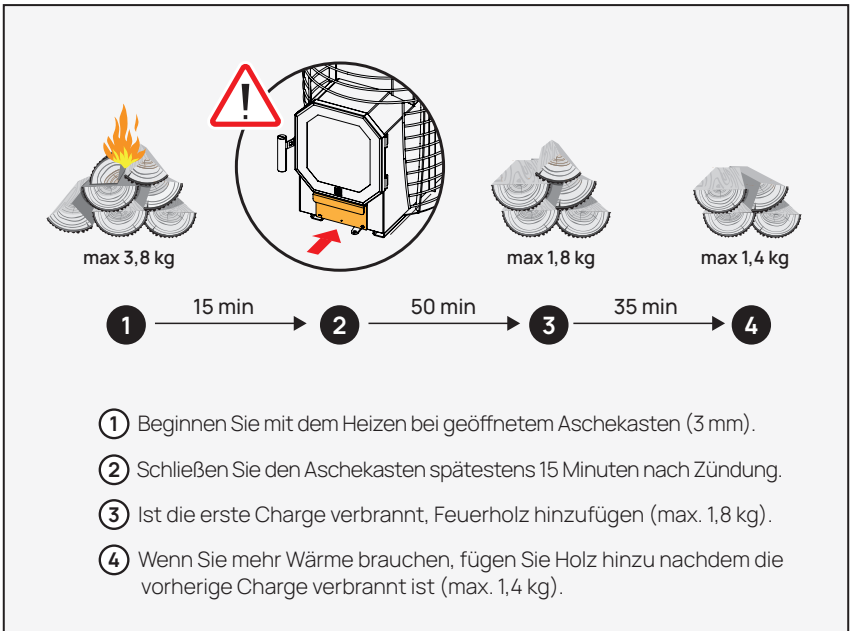


Abbildung 17. Aufheizanweisung für HIVE Flow Mini.

AUGUSS

Durch das Aufheizen der Sauna wird die Luft in der Saunakabine trocken. Für eine angenehme Luftfeuchtigkeit und ein optimales Saunaerlebnis gießen Sie Wasser auf die heißen Ofensteine.

- Beginnen Sie mit dem Aufguss erst, wenn die Steine richtig heiß sind, damit das Wasser vollständig verdunsten kann.
- Zu hartes und eisenreiches Wasser verändert das Aussehen der Saunasteine. Verwenden Sie kein Wasser, das Salz oder Chlor enthält, da dies die Korrosion des Saunaofens verursacht.
- Wir empfehlen, etwa 80 ml Wasser auf einmal auf die Steine zu gießen. Wenn Sie mehr Dampf wünschen, warten Sie einige Minuten und gießen Sie dann die gleiche Menge erneut auf. Dadurch können die Steine zwischendurch austrocknen und wieder aufwärmen.
- Aromatische Flüssigkeiten wie Saunaaufgüsse sollten vorher mit Aufgusswasser verdünnt werden, da diese sonst in einem heißen Saunaofen oder auf Steinen Feuer fangen können. Beachten Sie die Angaben des Herstellers des jeweiligen Aufgusses.
- Gießen Sie Wasser gleichmäßig über die Steine.

ACHTUNG! Gießen Sie niemals auf, wenn sich Personen in unmittelbarer Nähe des Saunaofens befindet, da der heiße Dampf zu Verbrennungen führen kann.

BEENDIGUNG DER NUTZUNG

Aufgrund der besonderen Verbrennungsart wird im Feuerraum viel Kohle erzeugt. Je nachdem, wie viel Brennholz in den Saunaofen eingelegt wurde, kann die im Brennraum gebildete Kohle lange brennen.

Wenn Sie möchten, dass die Kohlen am Ende des Saunagangs schnell ausbrennt,

- mischen Sie die Kohlen mit Hilfe eines Feuerhakens und stapeln sie in der Mitte des Feuerraums.
- öffnen Sie den Aschekasten so weit wie möglich. Die Sicherheitssperre des Aschekastens verhindert, dass die es mehr als um 3 mm geöffnet wird. Durch den Ascherost strömt Luft ein und es beginnt eine intensive Kohleverbrennung.

Wir empfehlen den Saunagang in jenem Zeitraum, in dem die Kohlen im Ofen brennen. Auf diese Weise sparen Sie Brennholz und haben ein besseres Saunaerlebnis. Wenn die Kohlen ausgebrannt sind, schließen Sie den Aschekasten und das Luftventil unter der Ofentür, damit der Ofen länger warm bleibt.

WARTUNG

Der mit hochwertigem Brennholz ordnungsgemäß beheizte Ofen verursacht kaum Ruß in den Kaminrohren und bedarf keiner besonderen Wartung. Der Rauchabzug, die Anschlüsse der Rauchrohrleitungen an den Rauchabzug und die Abflüsse des Saunaofens sollten jedoch mindestens einmal im Jahr gereinigt werden. Diese Arbeiten sind als Dienstleistung bei einem qualifizierten Schornsteinfeger zu bestellen. Bei der Reinigung des Saunaofens sollten Sie alle örtlichen Brandschutzbestimmungen beachten, die die Brandschutzanforderungen für die Reinigung von Heizgeräten festlegen (RTL1998,195/196, 771 and RTL2000,99,1555).

Der Rauchabzug des Saunaofens muss mindestens einmal im Jahr gereinigt werden. Dazu sollte die obere Steinschicht vom Ofen entfernt werden, damit ein Zugang zu den Reinigungsluken möglich ist. Wenn im Inneren des Saunaofens Ruß sichtbar ist, sollten die Rauchabzüge gekehrt werden. Jeder qualifizierte Schornsteinfeger verfügt hierfür über die entsprechende Ausrüstung.

Überprüfen Sie außerdem mindestens einmal im Jahr den Zustand der Steine im Saunaofen. Ersetzen Sie gesprungene oder anderweitig beschädigte Steine durch neue. Abhängig von der Intensität der Saunanutzung ist es im Durchschnitt alle zwei Jahre erforderlich, die Steine teilweise oder vollständig durch neue zu ersetzen. Wenn die Steine ausgedient haben, dauert das Erhitzen länger, was wiederum die Struktur des Saunaofens stärker belastet, Brennmaterial verschwendet und die Qualität des Aufgusses verringert



Tutorial video

Reinigen Sie die Glastür regelmäßig, am besten vor jedem Heizen. Zur Reinigung eignen sich spezielle, im Handel erhältliche Kaminglasreiniger. Sie können auch angefeuchtete Küchenpapiertücher verwenden. Tauchen Sie das angefeuchtete Papiertuch in feine weiße Asche in der Feuerstelle und schrubben Sie den an der Tür abgelagerten Ruß ab. Reinigen und trocknen Sie das Glas anschließend mit sauberem Papier.

Überprüfen Sie den Zustand der Türdichtung, wenn Sie das Glas reinigen. Ist die Türversiegelung beschädigt oder löst sie sich, sollte der Saunaofen nicht erhitzt werden. Ohne Dichtung wird zu viel Luft in den Verbrennungsprozess gelangen, was zu einer Überhitzung führen kann. Die Türdichtung kann ausgetauscht werden. Die geeignete Dichtung und der geeignete Kleber sind als HUUM Ersatzteile erhältlich. Siehe **Anhang 4, Seite 90.**

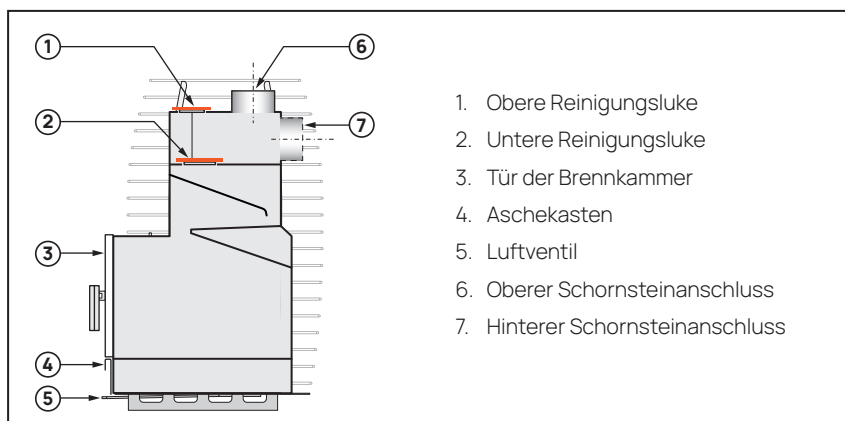


Abbildung 18. Einzelheiten zum HIVE flow Saunaofen

AUSSERBETRIEBNAHME

HUUM-Saunaöfen sind so konzipiert, dass sie langlebig sind und so einen möglichst geringen ökologischen Fußabdruck auf die Umwelt hinterlassen.

Wenn Sie den Saunaofen außer Betrieb nehmen und entsorgen möchten, bringen Sie ihn zum jeweiligen Altstoffsammelzentrum.

Allgemeine Hinweise zur Außerbetriebnahme des Saunaofens:

1. Reinigen Sie die Brennkammer und die Rauchabzüge des Saunaofens.
2. Trennen Sie den Saunaofen von den Rauchabzügen und schließen Sie diese.
3. Bringen Sie die Metallkonstruktionen des Saunaofens an die dafür vorgesehene Sammelstelle (z. B. eine dafür vorgesehene Metallrecyclingstelle).
4. Bringen Sie die Glaskonstruktionen des Saunaofens an die dafür vorgesehene Sammelstelle (z. B. eine dafür vorgesehene Abfallsammelstelle).

WARNUNGEN UND HINWEISE

Der Saunaofen ist so ausgelegt, dass er den Saunaraum auf die passende Temperatur für Saunaaufgüsse erwärmt. Es darf nicht für andere Zwecke verwendet werden.

Benutzen Sie Ihre Sauna nicht, wenn Sie nicht über ausreichende Kenntnisse verfügen oder wenn Ihr Gesundheitszustand dies nicht zulässt.

Aufgrund des hohen Steinvolumens des Saunaofens dauert es einige Zeit, bis die gewünschte Temperatur im Saunaraum erreicht ist. Warten Sie, bis der Saunaofen gemäß der Bedienungsanleitung die optimale Temperatur erreicht hat. Sollten Sie versuchen, die Aufheizzeit durch Missachtung der Nutzungsregeln zu beschleunigen, kann dies zu Überhitzung, Schäden am Saunaofen und Rauchabzug sowie zur Brandgefahr führen. Ein richtig beheizter Saunaofen speichert die Wärme lange und erzeugt milden Dampf.

Die beste Temperatur im Saunaraum, um das Saunieren wirklich genießen zu können, liegt bei **60 – 80 °C**.

- Minderjährige dürfen die Sauna nicht ohne Aufsicht eines Erwachsenen heizen oder benutzen.
- Lassen Sie den Saunaofen nicht unbeaufsichtigt im Brandmodus.
- Der Saunaofen kann nur verwendet werden, wenn er ordnungsgemäß mit Steinen gefüllt ist.
- Es ist verboten, den Saunaofen zu bedecken, da dies eine Brandgefahr verursacht.
- Das Luftventil und der Aschekasten werden beim Heizen heiß. Benutzen Sie zum Umgang damit Handschuhe oder einen Feuerhaken.
- Wenn der Saunaofen überhitzt oder andere Probleme auftreten (z. B. Rußbrand im Rauchabzug), stoppen Sie den Brennvorgang sofort. Stellen Sie sicher, dass der Aschekasten geschlossen ist und schließen Sie das Luftventil am Rand unter dem Saunaofen. Begrenzen Sie nach Möglichkeit die Luftzufuhr zum Saunaraum. Lassen Sie im Falle eines Rußbrandes den Rauchabzug vor dem nächsten Einsatz unbedingt vom Schornsteinfeger reinigen und überprüfen Sie den Zustand des Abzugs und des Saunaofens.
- Vermeiden Sie, dass Wasser auf die heiße Türscheibe des Saunaofens gelangt! Die Ergebnisse der durchgeführten Tests haben gezeigt, dass die Glastür des Saunaofens langlebig ist, die Herstellergarantie gilt jedoch nicht für das Glas. Wenn das Glas der Tür kaputt ist, bestellen Sie ein Ersatzglas als HUUM-Ersatzteil. Die Liste der Ersatzteile finden Sie im **Anhang 4, Seite 90**.

ACHTUNG! Das Beheizen des Saunaofens mit zerbrochenem Glas ist verboten!

- Wenn der Saunaofen längere Zeit nicht benutzt wurde, vergewissern Sie sich vor dem Aufheizen, dass sowohl der Saunaofen als auch der Rauchabzug in gutem Zustand sind.
- Um die Brennkammer zu reinigen und sicher benutzen zu können, sollten Sie sich entsprechendes Zubehör besorgen (Schaufel, Bürste, Feuerhaken).
- Veränderungen oder Umbauten am Saunaofen sind nicht erlaubt.

PROBLEMLÖSUNG

Der Luftabzug des Saunaofens ist schwach.

- Der Saunaofen wurde lange nicht benutzt und das Abzugsrohr oder die Steine sind feucht.
- Der Saunaofen bekommt nicht genügend Luft oder es befindet sich Unterdruck in der Kabine. Stellen Sie eine ausreichende Frischluftzufuhr sicher.
- Der Saunaofen ist seit langem nicht gereinigt worden.
- Ein Loch im Kaminrohr.

Die Sauna erwärmt sich nicht ordentlich.

- Brennholz ist feucht oder zu dick.
- Die Leistung des Saunaofens entspricht nicht dem Volumen des Saunaraumes.
- Der Zug des Saunaofens oder der Luftabzug sind zu schwach.
- Die Saunasteine sind schmutzig und/oder zerbröckelt. Es sind ungeeignete Saunasteine verwendet worden.
- Strukturelle und Lüftungsfehler in der Sauna.

Der Saunaofen erzeugt einen unangenehmen Geruch.

- Das Einbrennen des Ofens vor seiner Installation wurde nicht ordnungsgemäß durchgeführt (siehe dazu **"Einbrennen des Saunaofens"** auf Seite 66)
- Die Saunasteine wurden vor Installation nicht gewaschen worden.
- Auf den Steinen hat sich Fett oder Schmutz angesammelt.
- Aufgusswasser ist nicht sauber.

Der Saunaofen ist überhitzt

- Der Aschekasten ist während der Saunanutzung geöffnet.
- Der Rauchabzug ist zu intensiv.
- Das Brennholz ist zu dünn und/oder trocken.
- Die Mengen und Intervalle beim Hinzufügen des Brennholzes sind nicht korrekt (siehe Anhang 1, Seite 87)

Das Glas des Ofens ist mit Ruß bedeckt.

- Rußbildung auf der Glasfläche des Saunaofens während des Brennprozesses normal. Diese wird durch Luftfeuchtigkeit und kalte Oberflächen verursacht, auf denen Wasser kondensiert. Beim Einsetzen lassen Sie die Tür in den ersten Minuten um ein paar Millimeter leicht geöffnet, damit die Oberflächen trocknen können, und schließen Sie dann die Tür vollständig.
- Das zum Heizen verwendete Holz ist zu feucht. Wenn möglich, lagern/trocknen Sie das Holz im Innenbereich.

Beim Öffnen der Ofentür schießt eine Flamme aus.

- Öffnen Sie die Ofentür nicht während der intensiven Brennphase. Wenn es aus irgendeinem Grund unbedingt notwendig ist, öffnen Sie die Tür zunächst 10 Sekunden lang um einige Millimeter. Danach können Sie die Tür so weit wie nötig öffnen.

GARANTIE

Allgemeine Vorschriften:

- Der Käufer ist verpflichtet, die Bedienungsanleitung des Produkts durchzulesen und die in der Bedienungsanleitung genannten Anweisungen zu befolgen.
- Die Garantie gilt, wenn das Produkt einen vom Hersteller verursachten technischen Defekt oder Fehler aufweist.
- Die Garantie umfasst den Ersatz von Teilen mit Produkt- oder Herstellungsfehlern.
- Die Garantiezeit beträgt 5 Jahre ab Kaufdatum des Produkts bei privater Nutzung und 1 Jahr bei öffentlicher Nutzung.
- Die Garantie erstreckt sich nicht auf Ausfälle, die auf die Nichtbeachtung der im Handbuch aufgeführten Nutzungsregeln zurückzuführen sind.

ACHTUNG! Die Garantie erfolgt auf Vorlage der Kaufbestätigung/Rechnung. Das Recht, einen Anspruch einzureichen, gilt unter der Bedingung, dass das Produkt nur für den vorgesehenen Zweck und unter den vorgesehenen Bedingungen verwendet wurde.

Garantiebedingungen:

- Die Garantie gilt nicht für Mängel, die durch den normalen Verschleiß des Produkts verursacht werden.
- Die Garantie umfasst nicht das Glas der Ofentür.
- Die Garantie umfasst nicht die Saunasteine.
- Tür- und Glasdichtungen: 2 Jahre beim privaten Gebrauch und 1 Jahr bei öffentlicher Nutzung.

Die Garantie gilt nicht für Ausfälle, die bedingt sind durch:

- Den Transport der Ware und andere Unfallschäden;
- Unachtsame oder unbeabsichtigte Lagerung und Verwendung des Produkts sowie Überlastung.
- Nichtbeachtung der Installations- und Bedienungsanleitung des Produkts sowie der Sicherheitsanforderungen.

Die Garantie gilt nicht in folgenden Fällen:

- Der Hersteller übernimmt keine Verantwortung für die Folgen einer Überhitzung.
- Die Garantie erstreckt sich nicht auf nicht ordnungsgemäß beheizte Saunaöfen.
- Die Garantie entfällt, wenn das Produkt von einer nicht autorisierten Person repariert wurde, Teile hinzugefügt wurden, die nicht zum Produkt gehören, oder vom Hersteller nicht zugelassene Verbrauchsmaterialien verwendet wurden.

Die aktuellsten Informationen finden Sie auf unserer Webseite: huum.eu


ANHANG 1

TECHNISCHE DATEN DES SAUNAOFENS

	Flow	Flow LS	Flow Mini	Flow Mini LS
Größe des Saunaraumes, m ³	8.18	8.18	6.14	6.14
Höhe vom Fußboden, mm	884	884	884	884
Breite, mm	526	526	450	450
Tiefe (ohne Griff), mm	586	706	493	613
Durchmesser des Schornsteinbeins, mm	114	114	114	114
Temperaturklasse des Rauchabzugs	T450	T450	T450	T450
Mindestquerschnitt des Rauchabzugs, mm ²	10 400	10 400	10 400	10 400
Gewicht ohne Steine, kg	67	73	54	59
Gewicht mit Steinen, kg	150	150	105	105
Größe der Steine, mm	50..150	50..150	50..150	50..150
Brennstoff	Brennholz	Brennholz	Brennholz	Brennholz
Maximale Brennholzlänge, mm	400	400	300	300
Empfohlene Brennholzlänge, mm	300	300	300	300
Höchste Zündmenge, kg	5	5	3,8	3,8
Minimale Brennzeit der Zündmenge in Minuten	75	75	65	65
Höchstmenge für die erste Nachheizung, kg	2,2	2,2	1,8	1,8
Mindestbrenndauer der ersten Nachheizmenge in Minuten	35	35	35	35
Höchstmenge der zweiten Nachheizung, kg	1,8	1,8	1,4	1,4
Maximale Brennstoffmenge pro Stunde, kg/h	4	4	3,5	3,5
Nominale Heizleistung, kW	9,8	9,8	8,5	8,5
Bruttoeffizienz, %	74,9	74,9	75,1	75,1
Durchschnittliche Rauchgastemperatur bei nominaler Heizleistung, °C	339	339	319	319
Maximale Rauchgastemperatur bei nominaler Heizleistung, °C	385	385	343	343
CO (13% O ₂) mg/m ³	346	346	686	686
PM (13% O ₂) mg/m ³	17	17	14	14
NO _x (13% O ₂) mg/m ³	68	68	81	81
OGC (13% O ₂) mg/m ³	34	34	51	51
Massenstrom von Rauchgasen, g/s	8,6	8,6	7,9	7,9

ANHANG 2

KONFORMITÄTSERKLÄRUNG ÜBER DIE LEISTUNGSFÄHIGKEIT DES HIVE FLOW SAUNAOFENS

EN 15821:2010 Holzbefeuerte Saunaöfen mit Nachheizung für Räume in Wohngebäuden. <ul style="list-style-type: none"> • Saunaofen HIVE Flow • HIVE Flow LS BlmSchV Stufe 2 01/26/2010 DIN EN 13240 ECODESIGN 2022 2015/1185		
		HUUM OÜ Vahi tee 9 60534 Vahi küla Tartumaa Estland
Brandsicherheit		Entspricht den Anforderungen
Sicherheitsabstände	Rückseite (mm)	150
	Seite (mm)	150
	Oben (mm)	1000
Emission von Verbrennungsprodukten		Entspricht den Anforderungen
Oberflächentemperatur		Entspricht den Anforderungen
Freisetzung gefährlicher Stoffe		NPD
Reinigbarkeit		Entspricht den Anforderungen
Rauchgastemperatur		339 °C
Mechanische Festigkeit		Entspricht den Anforderungen
Wärmekapazität und Energieeffizienz		
CO (13% O ₂)		346 mg/m ³
PM (13% O ₂)		17 mg/m ³
NO _x (13% O ₂)		68 mg/m ³
OGC (13% O ₂)		34 mg/m ³
Gesamteffizienz		74,9 %
Rauchabzug		12 Pa
Wärmekapazität		9,8 kW
Zusätzliche Heizmengen		5 kg+2.2 kg+1.8 kg
Nutzungsdauer		Entspricht den Anforderungen

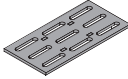
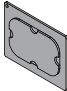
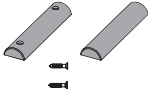
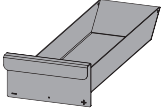

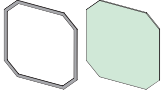
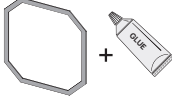

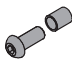
ANHANG 3

KONFORMITÄTSERKLÄRUNG ÜBER DIE LEISTUNGSFÄHIGKEIT DES HIVE FLOW MINI SAUNAOFENS

EN 15821:2010 Holzbefeuerte Saunaöfen mit Nachheizung für Räume in Wohngebäuden. <ul style="list-style-type: none"> • Saunaofen HIVE Flow Mini • HIVE Flow Mini LS BlmSchV Stufe 2 01/26/2010 DIN EN 13240 ECODESIGN 2022 2015/1185		
		HUUM OÜ Vahi tee 9 60534 Vahi küla Tartumaa Estland
Fire safety		Compliant with requirements
Sicherheitsabstände	Rückseite (mm)	150
	Seite (mm)	150
	Oben (mm)	1000
Emission von Verbrennungsprodukten		Entspricht den Anforderungen
Oberflächentemperatur		Entspricht den Anforderungen
Freisetzung gefährlicher Stoffe		NPD
Reinigbarkeit		Entspricht den Anforderungen
Rauchgastemperatur		319 °C
Mechanische Festigkeit		Entspricht den Anforderungen
Wärmekapazität und Energieeffizienz		
CO (13% O ₂)		686 mg/m ³
PM (13% O ₂)		14 mg/m ³
NO _x (13% O ₂)		81 mg/m ³
OGC (13% O ₂)		51 mg/m ³
Gesamteffizienz		75,1 %
Rauchabzug		12 Pa
Wärmekapazität		8,5 kW
Zusätzliche Heizmengen		3.8 kg+1.8 kg+1.4 kg
Nutzungsdauer		Entspricht den Anforderungen

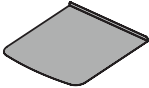
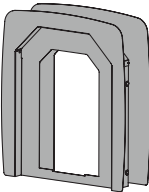
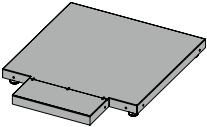
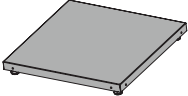


ANHANG 4

ERSATZTEILE

Kode	Modell	Bezeichnung	Abbildung
SP0092	für All Flow models	Ascherost	
SP0093	für All Flow models	Reinigungsluke	
SP0094	für All Flow models	Holzteile von Türgriffen einschließlich Schrauben	
SP0095	Flow	Aschekasten	
SP0096	Flow LS		
SP0097	Flow Mini		
SP0098	Flow Mini LS		
SP0099	Flow/Flow LS	Außenglas der Tür	
SP0100	Flow Mini / Flow Mini LS		
SP0101	Flow / Flow LS	Innenglas der Tür mit innerer Glasdichtung	
SP0102	Flow Mini / Flow Mini LS		
SP0103	for All Flow models	Türdichtung mit Klebstoff	
SP0106	for All Flow models	Kleber zur Befestigung der Türdichtung	
SP0107	for All Flow models	Buchse für den Türfixator mit Befestigungsbolze	

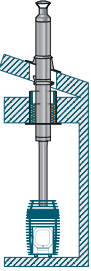
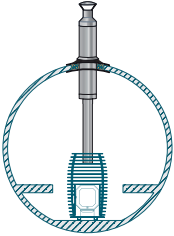
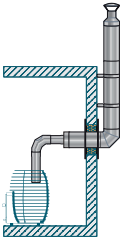
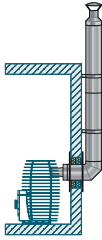
ANHANG 5

ZUBEHÖR

Kode	Bezeichnung/Modell	Abbildung
H3017011	Fußbodenschutzplatte für alle HIVE Flow Modelle	
H3016012	Einbaurahmen aus Edelstahl für HIVE Flow LS	
H3016013	Schwarzer Einbaurahmen für HIVE Flow LS	
H3018012	Einbaurahmen aus Edelstahl für HIVE Flow Mini LS	
H3018013	Schwarzer Einbaurahmen für HIVE Flow Mini LS	
H3016011	Bodenschutzplatte für HIVE Flow LS	
H3018011	Bodenschutzplatte für HIVE Flow Mini LS	
H3009011	Bodenschutzplatte für HIVE Flow	
H3008011	Bodenschutzplatte für HIVE Flow Mini	
H3099021	Saunasteine Ø 5-10cm	
H3009041	Zusätzlicher Steinkorb für alle HIVE Flow Modelle. Kapazität: 35-40 kg Saunasteine	

ANHANG 5

ZUBEHÖR

Kode	Bezeichnung/Modell	Abbildung
H3100	Rauchabzugsset, durch die Decke	
H3101	Rauchabzugsset, Fass-Sauna	
H3102	Rauchabzugsset, durch die Wand	
H310202	Rauchabzugsset für hinteren Anschluss	

NOTES
MÄRKMED
ANMERKUNGEN

NOTES
MÄRKMED
ANMERKUNGEN



 OF SAUNA



#huumsauna



www.huum.eu